

## Highlights

- ThermoJacket withstands ambient temperatures up to 315°C
- Thermal or mechanical environmental protection for MR, MM, TX or XR sensing heads
- Air/water cooling and air purge in one unit

## Specifications

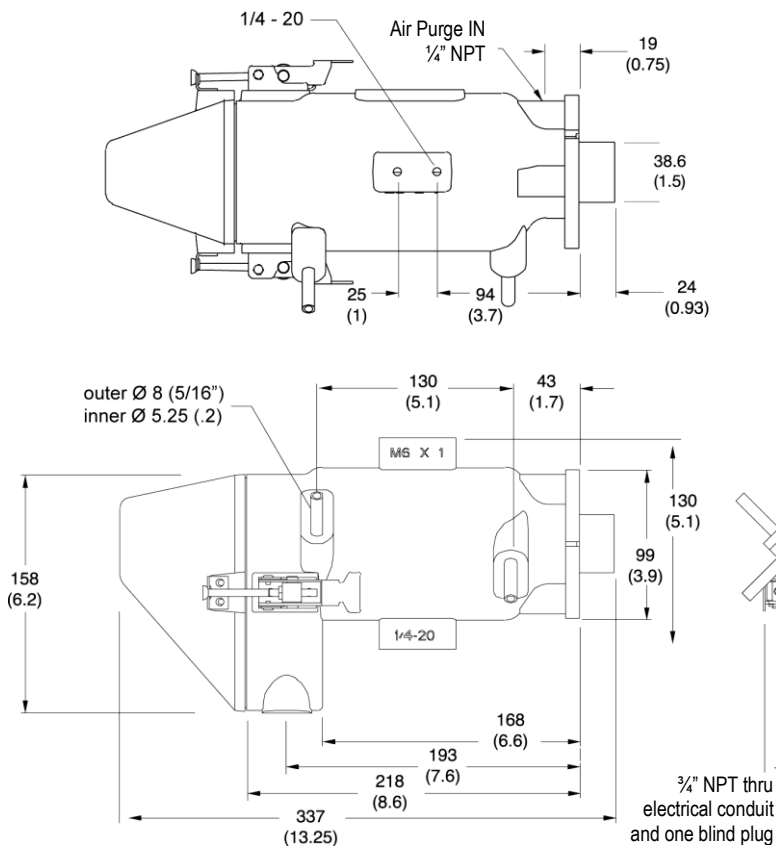
<b>Ambient Temperature</b>	
with water cooling	up to 315°C
with air cooling	up to 115°C
<b>Air Purge Flow</b>	
	36 to 48 l / min
<b>Coolant Pressure</b>	
Water Cooling	275 to 860 kPa
Air Cooling	550 to 827 kPa
<b>Dimension</b>	
	337 x 125 x 158 mm
<b>Weight</b>	
	3,7 kg (without adjustable mounting base)

# ThermoJacket

## Datasheet

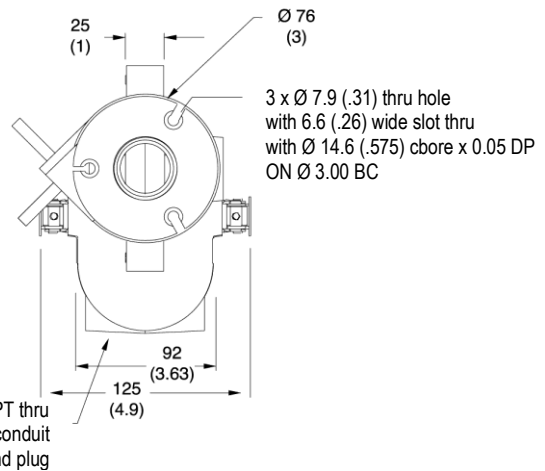


## Dimensions

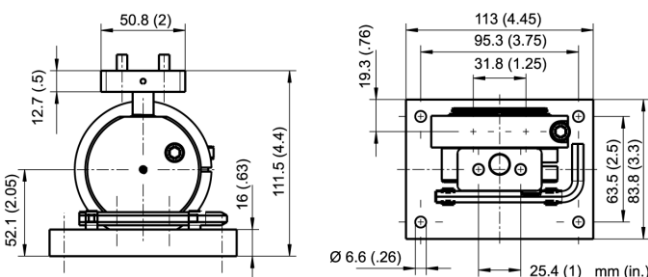


- RAYTXXTJ1M** ThermoJacket for MR sensing heads
- RAYTXXTJ3M** ThermoJacket for TX sensing heads
- RAYTXXTJ4M** ThermoJacket for MM sensing heads
- RAYTXXTJ5M** ThermoJacket for XR sensing heads

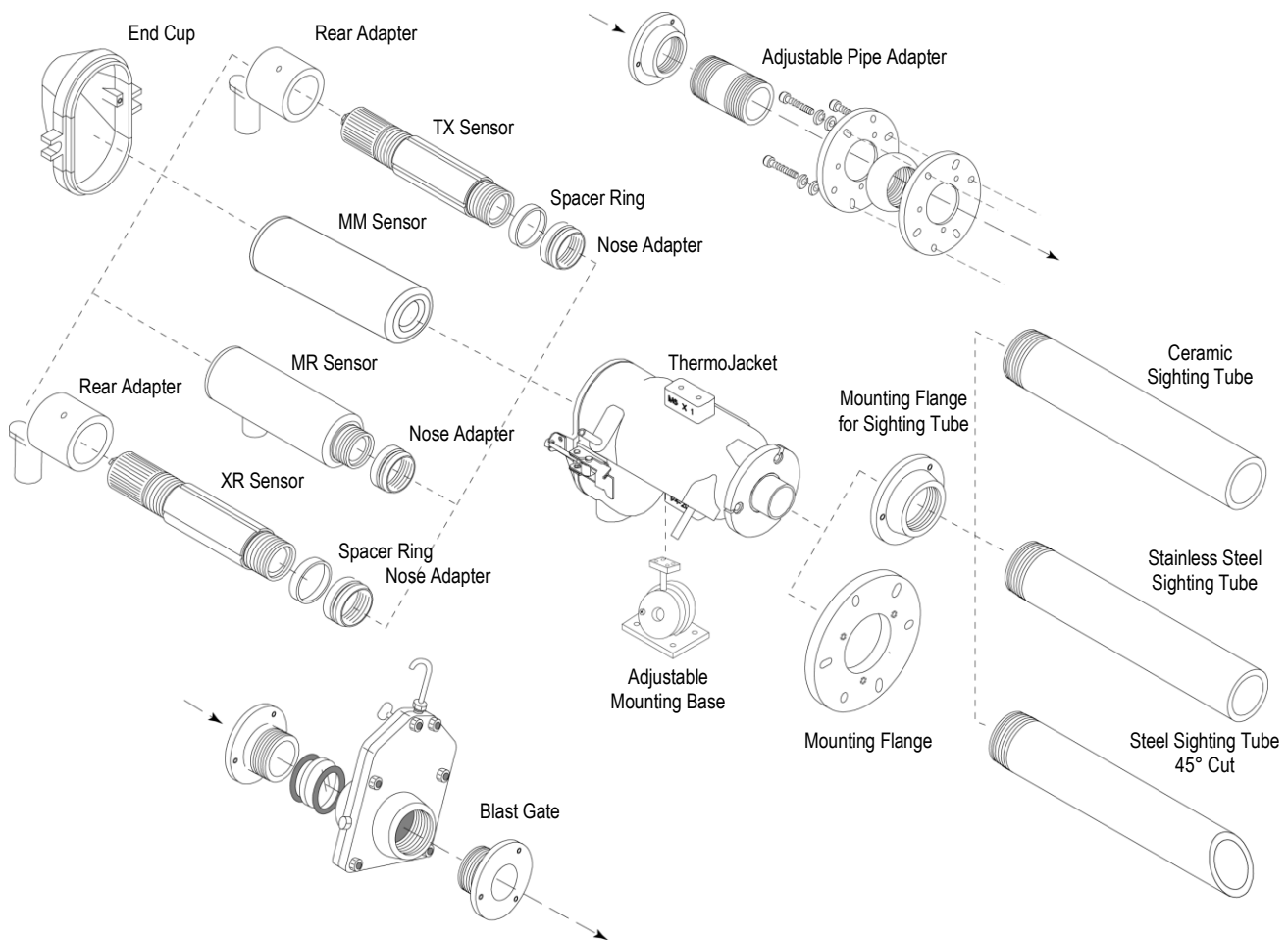
mm (in.)



## Adjustable Mounting Base (XXXTXMB)



## Accessories Overview



### Accessories

**Sighting Tubes:** for environments where reflected energy is a problem.

- Ceramic Sighting Tube, 305 mm long (XXXTST12)
- Stainless Steel Sighting Tube, 305 mm long (XXXTSTC12)
- Steel Sighting Tube with 45° cut, 305 mm long (BEESIGHT)

**Mounting Flanges:**

- Mounting Flange (XXXTXXMF)
- Mounting Flange for Sighting Tube (XXXTXXMST)

**Blast Gates:**

- Blast Gate with Quartz Window, max. 870°C, for 1M, 2M and HT (XXXTXXGTQ)
- Blast Gate with Amtir Window, max. 300°C, for LT, MT, G5, and P7 (XXXTXXGTA)

**Regulators:**

- Air Pressure Regulator, max. press. 10 bar, max. temp. 50°C, filter size 5 µm (XXXTXXAR)
- Air Flow Regulator, max. pressure 7 bar, max. temperature 38°C (XXXTXXCAFR)
- Water Flow Regulator, max. pressure 7 bar, max. temperature 38°C (XXXTXXWR)

**Adjustable Pipe Adapter (XXXTXXAPA)**

### Required Coolant Flow

Ambient Temp.	Water Cooling	Air Cooling
93°C	0,3 l / min	95 l / min
121°C	0,6 l / min	110 l / min
149°C	1,0 l / min	120 l / min
232°C	1,3 l / min	
315°C	2,0 l / min	

coolant temperature of 20°C at inlet

[www.raytek.com](http://www.raytek.com)

55525, Rev. D1, 04/2011 – Raytek and the Raytek logo are registered trademarks of Raytek Corporation. Specifications subject to change without notice. Raytek is ISO 9001 certified.

**Worldwide Headquarters**  
 Santa Cruz, CA USA  
 Tel: +1 831 458 – 3900  
 +1 800 227 – 8074  
[solutions@raytek.com](mailto:solutions@raytek.com)

**European Headquarters**  
 Berlin, Germany  
 Tel: +49 30 47 80 08 0  
 Fax: +49 30 4 71 02 51  
[raytek@raytek.de](mailto:raytek@raytek.de)



**United Kingdom**  
[ukinfo@raytek.com](mailto:ukinfo@raytek.com)

**France**  
[info@raytek.fr](mailto:info@raytek.fr)

**Raytek®**  
 A Fluke Company