

piD-TECH® eVx Photoionization Sensors

For OEM markets

- Standard 4 P cell platform
- PIDs — measure volatile organic compounds (VOCs) and other gases
- Sensitivity — sub-ppb to 10,000 ppm
- An efficient and inexpensive detector for many gas and vapor analytes

PIDs produce

- instantaneous readings
- operate continuously
- commonly used as detectors for gas chromatography or as hand-held portable instruments
- Hand-held models widely used in military, industrial, and confined working facilities for health and safety



VOC-TRAQ® II Hand-held Total Volatile Organic Compound (TVOC) Detector

It has no moving parts and operates using the simplicity of diffusion, yet still offers a fast response time.



VOC-TRAQ® II piD-POD

Adds TVOC Measurement To Existing Gas Monitoring Instrument Designs

The piD-POD easily integrates into an OEM's gas chromatographs and continuous monitors to provide a TVOC measurement into their instrument design prior to analysis by preexisting detectors. This greatly reduces new product development costs.



VOC-TRAQ II Flow Cell = VOC-TRAQ II + piD-POD

Remotely monitors and records the presence of TVOCs using a PC with Windows®-based software.

The VOC-TRAQ II product line utilizes the MOCON, Inc. - Baseline piD-TECH® sensors, allowing the user to choose the desired sensitivity and lamp energy for the application.



piD-TECH® Micro Photoionization Sensors

Award winning sensors that are utilized by OEMs in a wide variety of Volatile Organic Compound (VOC) monitoring applications

| 10.6 eV | Green | Purple | Red | Yellow | Blue |
|---------|------------|-----------|---------|---------|---------|
| Part # | 045-010 | 045-011 | 045-012 | 045-013 | 045-014 |
| Range | 10,000 ppm | 2,000 ppm | 200 ppm | 20 ppm | 2 ppm |
| MDQ | 500 ppb | 100 ppb | 10 ppb | 1.5 ppb | 0.5 ppb |

| 10.0 eV | Purple | Red | Yellow |
|---------|-----------|---------|---------|
| Part # | 045-017 | 045-015 | 045-018 |
| Range | 6,000 ppm | 600 ppm | 60 ppm |
| MDQ | 500 ppb | 50 ppb | 5 ppb |



Innovation – MOCON - Baseline invented (and patented) the PID sensor

Compatibility – Developed for the 4P platform

Safety – Intrinsically safe, agency approvals

Versatility – Wide variety of ranges

Performance – Minimal humidity effects, maintains linearity

Maintainable Design – Ease of lamp cleaning/maintenance

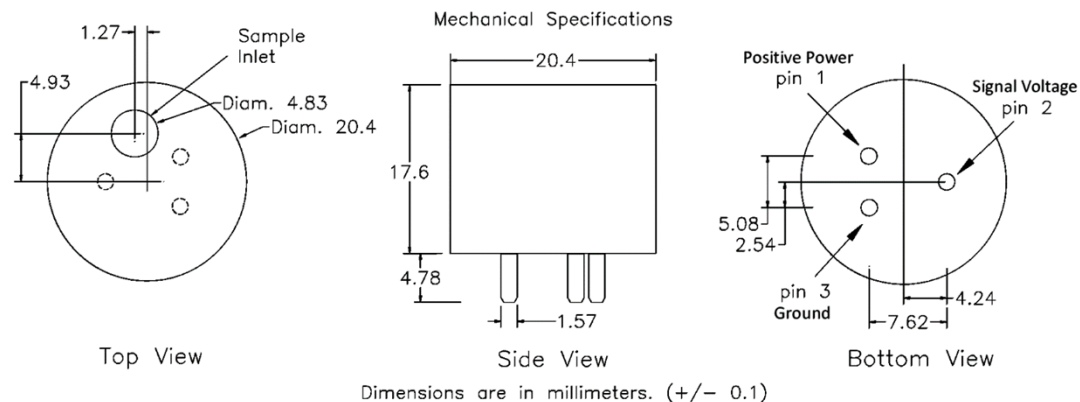
Reliability – Long lamp life



The **piD-TECH eVx** is designed to be mechanically interchangeable with major brands of electrochemical sensors that feature the familiar **City Technology 4P cell**

The piD-TECH eVx includes:

- Detector Cell
- UV Lamp
- Polarizing Circuitry
- Amplifier
- Lamp Driver
- Sample Filters
- RF Shielding



UL Certified Component

- **Intrinsically Safe with no external components required**
- Certifications Include: UL, ATEX, IECEx

Important Specifications

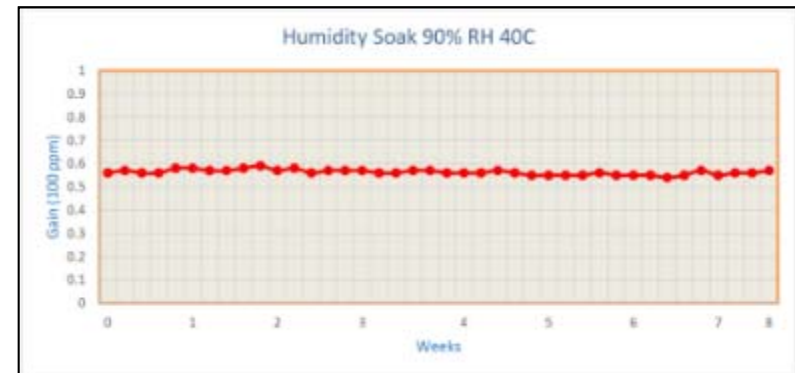
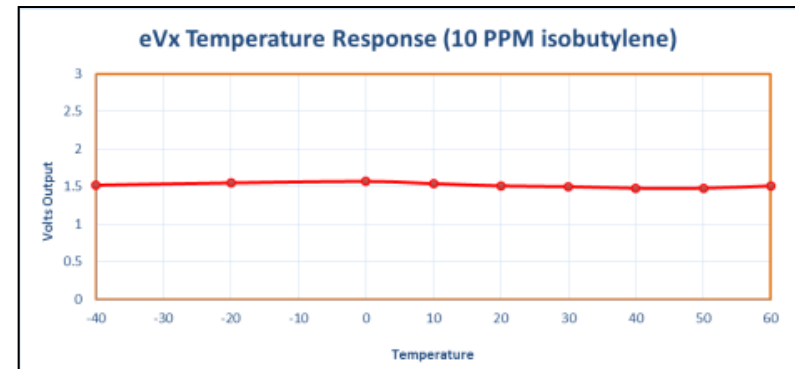
- Voltage In (regulated): 3.2 V – 5.5 V
- Voltage Out: 0.045 V – 2.5 V
- Power Consumption: 80 mW – 200 mW
- Temperature Range: -20 °C to 60 °C
- Response Time (diffusion): < 5 seconds
- Lamp Life: Guaranteed for 6000 hours
- Warranty Period: 18 months



- Lamp life - Guaranteed for 6000 power-on hours
- Typically lasts 10,000 to 14,000 hours
- Sensor shelf life: 5 years +
- Warranty: 18 months
- Instructional Videos

<http://vimeopro.com/gasanalysis/pid-tech-plus>

Password: baseline11



Additional Benefits

- Lamp instant on feature, reliable UV lamp lighting 100% of the time
- Reliable Detector Cell connection
- Linear throughout specified dynamic range
- True Intrinsic safe design, no additional components needed
- Stable signal and baseline zero, minimal signal drift.
- Wide range of sensitivities: 2 ppm, 20 ppm, 200 ppm, 2000 ppm, 10,000 ppm
- Choice of lamp energies: 10.6 eV and 10.0 eV
- Replacement sensor program



The piD-TECH sensor is the solution for OEMs looking to include VOC detection capabilities in their handheld or in-situ detectors.



The piD-TECH sensor is also used in mobile applications for toxic gas detection utilizing Google cars and drones.



OEMs

Typical Markets

MOCON-Baseline's PIDs are used in a variety of worker safety applications and industries

- Portable Multi-Gas sensors
 - Industrial sanitation and safety
 - Geology
 - Water pollution monitoring
 - Oil/Paint/Ink production
 - Petroleum refining
 - Paper industry
 - Mining industry
 - Electroplating industry
 - Chemical
 - Construction
 - Fire Service
 - General Industrial
 - HVAC Controls
 - HazMat Response
 - Mining
 - Oil & Gas
 - Utilities
 - Water Treatment
 - Landfills/Site Remediation
 - Steel Industry
 - Agriculture
 - Research Institutes and Universities
- Fenceline Monitoring
- Leak Detection
- GC detectors



Customers:

- ISC
- MSA
- Detcon
- Draeger
- ASA Fuanda
- Aretas
- Hal Tech
- Withtech
- Defiant
- Greywolf
- US EPA
- Cairpol / Environnement S.A
- E Instrument
- Thermo
- Enmet
- Mil-Ram
- Aircuity
- Synergy
- Tru Tech.
- HartV
- Sungwa Elec.
- GfG
- Alpha Mos
- Oldham /TYCO
- CVI
- CS InstrumENT
- Kemik
- Senko Co.
- PIR Korea
- New Cosmos
- OPI Hae Song
- RKI Instrum.
- Recordum
- Weltall
- EP Analyse
- Chongqing
- Zamax
- IAQ

