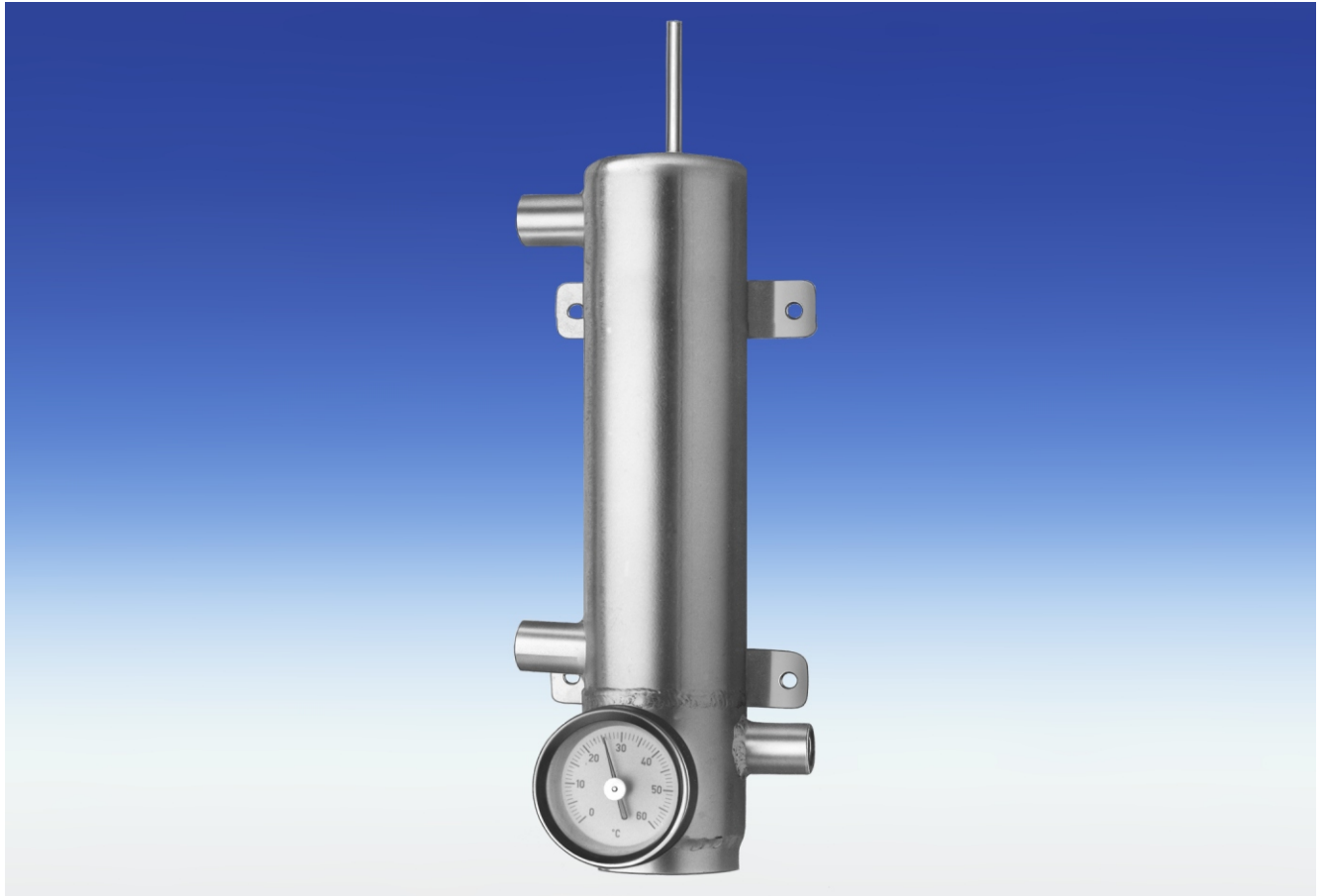


# Gas Coolers: Chiller and Scrubber



In addition to the electrically operated sample gas coolers, we offer chillers and scrubbers using water as the cooling agent. The following units are examples.

Please contact one of Bühler's application specialists for a cooler custom-designed for your application.

## **Chiller 170 IST and 170 IST Titanium**

The sample gas is directed through a coil-type heat exchanger which is immersed into a shell through which water is circulated. The condensate is drained through a port in the bottom of the unit. A thermometer (170-IST only) indicates the sample gas outlet temperature. Model 170 IST Titanium is completely made from titanium. Both chillers must be mounted vertically.

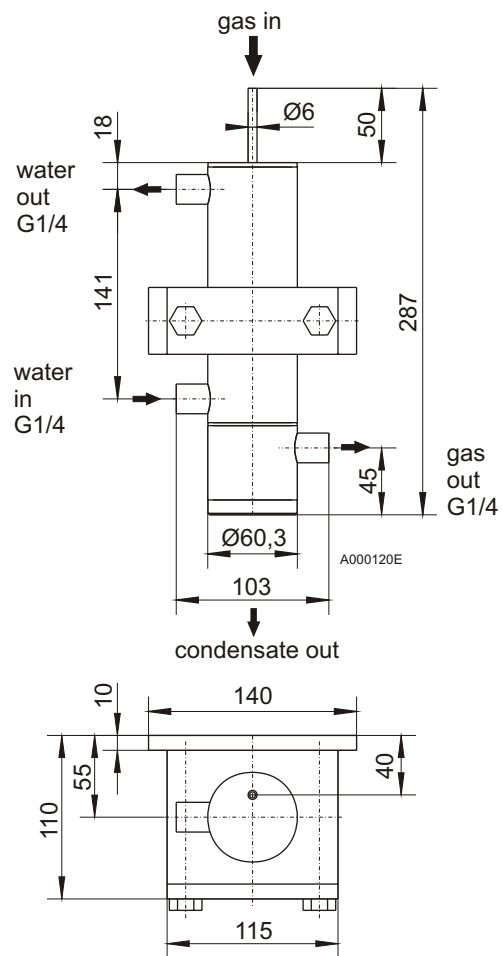
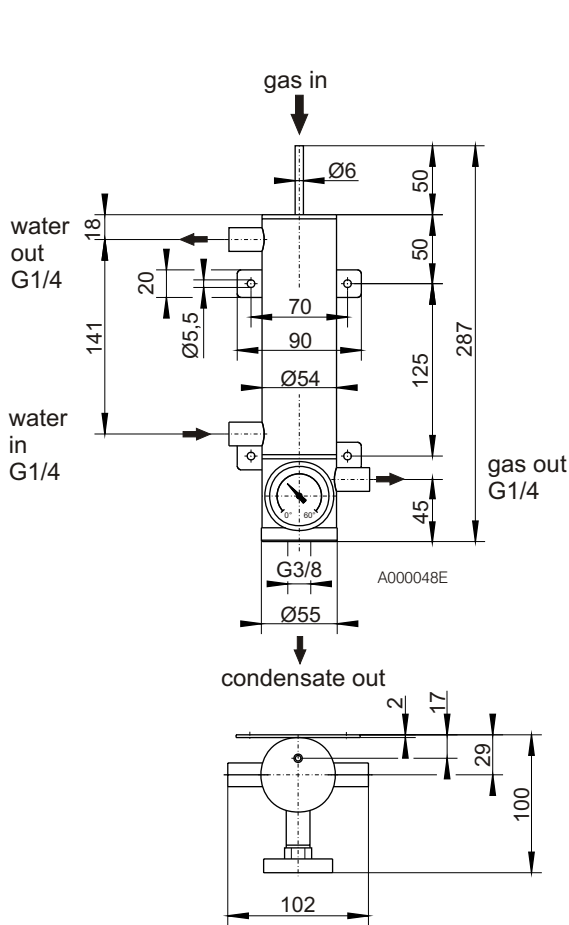
## **Scrubber 161 PVDF spec.**

Scrubbers use contact between water and the sample gas to remove unwanted components. The jacket and the inner tube are filled with water to a defined level. The sample gas inlet is situated below water level. The "clean" gas exits at the top of the scrubber.

## Technical Data: 170 IST and 170 IST Titanium

	<b>170 IST</b>
Cooling agent	water
Material	SS 316 Ti
Max. operation pressure	25 bar/ 360 psi
Max. gas inlet temperature	+ 160 °C/ 320 °F

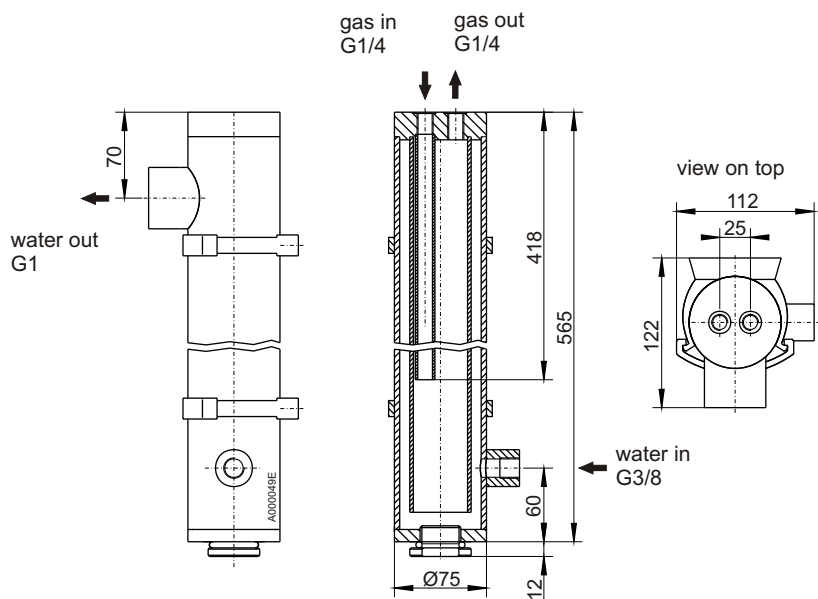
	<b>170 IST Titanium</b>
Cooling agent	water
Material	titanium
Max. operation pressure	15 bar/ 220 psi
Max. gas inlet temperature	+ 160 °C/ 320 °F



## Technical Data: 161 PVDF spec.

	<b>161 PVDF* spec.</b>
Material	PVDF
Water consumption	max. 120 l/h
Gasflow	max. 420 l/h
Max. operation pressure	2 bar/ 29 psi
Max. operation temperature	+ 80 °C/ 180 °F

\* Stainless steel version upon request



## Please indicate with order

Part no.	Model
46 12 999	170 IST
46 41 999	170 IST Titanium
46 80 999	161 PVDF spec.