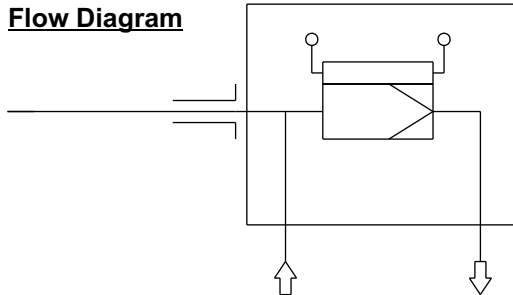


Sample gas probe GAS 222.17

Flow Diagram



Description:

- Heated sample gas probe with downstream filter and weather protection shield
- Filter can be replaced without tools
- Effective insulation and protection shield
- Self-regulating up to 180°C with low temperature alarm
- Dust concentration up to 2g/m³
- Not for hazardous areas

Technical data:

- Material: 1.4571
- Seals: Graphite/1.4404 and see filter elements
- Operating temperature: max. 200°C
- Max. working pressure: 6 bar
- Voltage: 115/230 V, 50/60Hz
- Temperature: self-regulating +180°C
- Low temperature alarm
Contact is open at operating temperature, closes at < 140°C, current max. 4A
- Ambient temperature: -20 to +80°C

Order information: Base unit:

- GAS 222.17 p/n 4622217

Options:

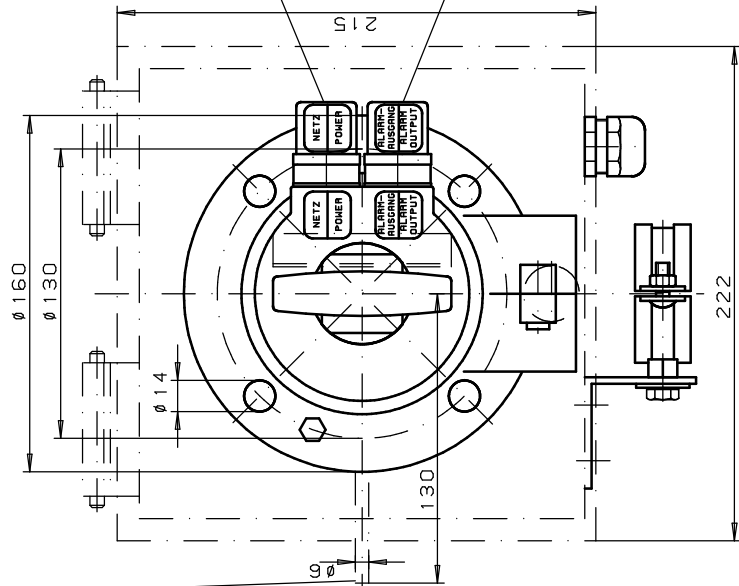
To customize the base unit to meet the needs of any application, please refer to data sheet DE461099 "Accessories for Gas Sample Probes".

- Various probe tubes
- Unheated extensions
- Filters
- Calibration gas port
- ANSI flange 3"



For general information see data sheet "Gas Sample Probes GAS 222" DE 461000.

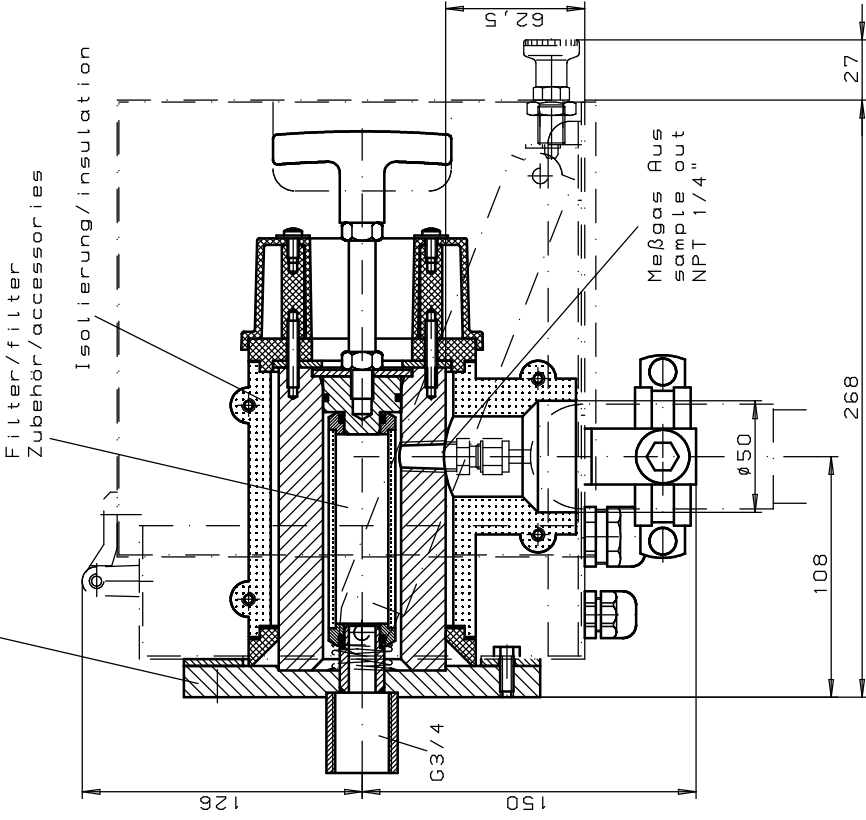
Option Kalibriergasanschluß Ø6/
option calibration gas port Ø6



Steckverbindung/
connector 3-pol. +PE
Netz/power

Steckverbindung/
connector 3-pol. +PE
Untertemperaturalarm/
low temperature alarm

Flansch/flange DN65 PN6



GAS 222.17

Werkstoffe/materials

- Flansch, Kopf/flange head
- Betriebs-temp. Sonde/operating temp. probe
- Heizung/heating
- Temperatur/temperature
- Untertemperaturalarm/low temperature alarm
- max. Schaltstrom/max. current
- Umgebungstemperatur/ambient temperature

- 1.4571/SS 316TI
- max. 200°C / 392°F
- 100-250VAC 400W
- 180°C / 356°F
- selbstregelnd/self regulating
- 150°C / 302°F
- 4A
- 20 bis/to +80°C
- 4 bis/to +176°F

ALLE RECHTE
VORBEHALTEN

Maßstab 1:2 (Gewicht)

Werkstoff:

	Datum	Name
Beob.	10.08.98	Br./nk/ann
Gepr.		
d	19.04.09	Br
c	28.06.01	Br
b	28.10.98	Br
a	10.08.98	Br

Benennung:
Gasentnahmesonde
sample gas probe
GAS 222.17

Zeichn.-Nr. **46/075-01-3D**

Art.-Nr. **4622217**

ARBEITSSPANSUNG:

Zust./Hnd. Datum Name Ers für

BUHLER
Meß+Regeltechnik
Ratingen