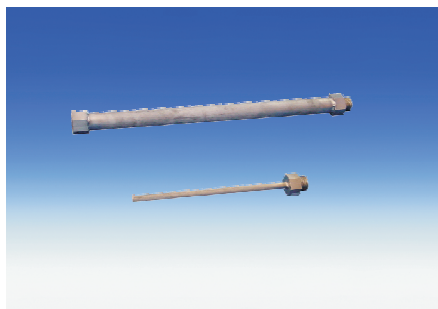
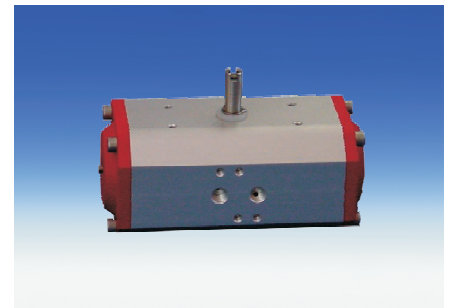
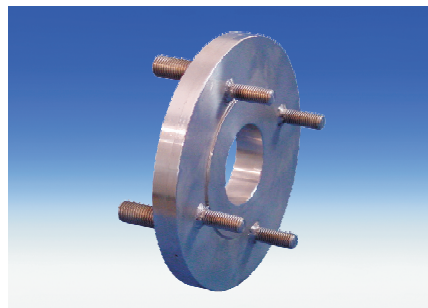
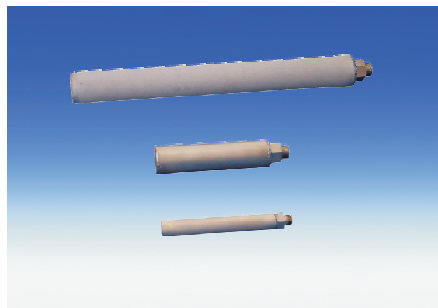
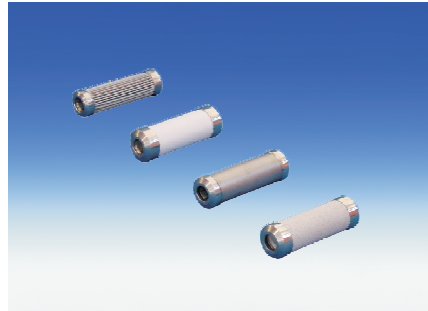
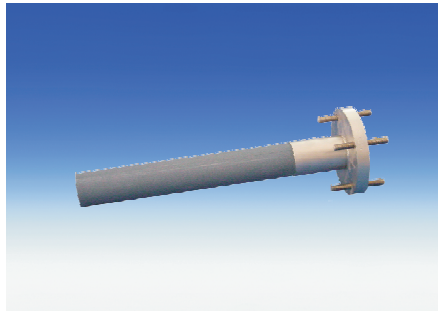


Accessories for Sample Gas Probe GAS 222



- Sample tubes
- In-situ filters
- Extensions

- Downstream filters
- Cal gas connections
- Adapter flanges

- Capacitive vessel
- Pneumatic actuators
- 3/2-way-solenoid valves
- Blowback controllers

Page 2 - 4

Page 8

Page 5 - 7

For general information, see data sheet "Sample gas probes GAS 222" DE461000.

Sample tubes, in-situ filters and extensions

- Various materials
- Various dimensions
- Heated or nonheated extensions

Sample tube	Material	T max.	Length	Part No.:	222.10	222.11	222.30	222.35-U	222.15	222.17	222.20	222.21	222.31	222.35	222.20 DH	222.20 ATEX2	222.21 ATEX2	222.31 ATEX2	222.35 ATEX2	222.10 ANSI	222.11 ANSI/ CSA	222.30 ANSI/ CSA	222.35-U ANSI/ CSA	222.15 ANSI/ CSA	222.17 ANSI/ CSA	222.20 ANSI/ CSA	222.21 ANSI/ CSA	222.31 ANSI/ CSA	222.35 ANSI/ CSA	222.20 DH ANSI/ CSA	222.20 AMEX	222.21 AMEX	222.31 AMEX	222.35 AMEX	Type GAS	
01	1.4571	600°C	300 mm	462220010300	X	X			X	X	X	X	X	X	X	X	X	X	X	X	X	X	X	X	X	X	X	X	X	X	X	X	X	X		
01	1.4571	600°C	500 mm	462220010500	X	X			X	X	X	X	X	X	X	X	X	X	X	X	X	X	X	X	X	X	X	X	X	X	X	X	X	X	X	
01	1.4571	600°C	1000 mm	462220011000	X	X			X	X	X	X	X	X	X	X	X	X	X	X	X	X	X	X	X	X	X	X	X	X	X	X	X	X	X	
01	1.4571	600°C	1500 mm	462220011500	X	X			X	X	X	X	X	X	X	X	X	X	X	X	X	X	X	X	X	X	X	X	X	X	X	X	X	X	X	
01	1.4571	600°C	2000 mm	462220012000	X	X			X	X	X	X	X	X	X	X	X	X	X	X	X	X	X	X	X	X	X	X	X	X	X	X	X	X	X	
02	Ceramics / 1.4571	1600°C	0.5 m	4622200205	X	X			X	X	X	X	X	X	X	X	X	X	X	X	X	X	X	X	X	X	X	X	X	X	X	X	X	X	X	
02	Ceramics / 1.4571	1600°C	1.0 m	4622200210	X	X			X	X	X	X	X	X	X	X	X	X	X	X	X	X	X	X	X	X	X	X	X	X	X	X	X	X	X	
02	Ceramics / 1.4571	1600°C	1.5 m	4622200215	X	X			X	X	X	X	X	X	X	X	X	X	X	X	X	X	X	X	X	X	X	X	X	X	X	X	X	X	X	
06	Hastelloy / 1.4571	400°C	500 mm	462220060500	X	X			X	X	X	X	X	X	X	X	X	X	X	X	X	X	X	X	X	X	X	X	X	X	X	X	X	X	X	
06	Hastelloy / 1.4571	400°C	1000 mm	462220061000	X	X			X	X	X	X	X	X	X	X	X	X	X	X	X	X	X	X	X	X	X	X	X	X	X	X	X	X	X	
06	Hastelloy / 1.4571	400°C	1500 mm	462220061500	X	X			X	X	X	X	X	X	X	X	X	X	X	X	X	X	X	X	X	X	X	X	X	X	X	X	X	X	X	
06	Hastelloy / 1.4571	400°C	2000 mm	462220062000	X	X			X	X	X	X	X	X	X	X	X	X	X	X	X	X	X	X	X	X	X	X	X	X	X	X	X	X	X	
08	Inconel / 1.4571	1050°C	500 mm	462220040500	X	X			X	X	X	X	X	X	X	X	X	X	X	X	X	X	X	X	X	X	X	X	X	X	X	X	X	X	X	
08	Inconel / 1.4571	1050°C	1000 mm	462220041000	X	X			X	X	X	X	X	X	X	X	X	X	X	X	X	X	X	X	X	X	X	X	X	X	X	X	X	X	X	
08	Inconel / 1.4571	1050°C	1500 mm	462220041500	X	X			X	X	X	X	X	X	X	X	X	X	X	X	X	X	X	X	X	X	X	X	X	X	X	X	X	X	X	
08	Inconel / 1.4571	1050°C	2000 mm	462220042000	X	X			X	X	X	X	X	X	X	X	X	X	X	X	X	X	X	X	X	X	X	X	X	X	X	X	X	X	X	
08	Inconel / 1.4571	1050°C	2500 mm	462220042500	X	X			X	X	X	X	X	X	X	X	X	X	X	X	X	X	X	X	X	X	X	X	X	X	X	X	X	X	X	
12	1.4571	600°C	500 mm	462220160500	X	X			X	X	X	X	X	X	X	X	X	X	X	X	X	X	X	X	X	X	X	X	X	X	X	X	X	X	X	
12	1.4571	600°C	1000 mm	462220161000	X	X			X	X	X	X	X	X	X	X	X	X	X	X	X	X	X	X	X	X	X	X	X	X	X	X	X	X	X	
12	1.4571	600°C	1500 mm	462220161500	X	X			X	X	X	X	X	X	X	X	X	X	X	X	X	X	X	X	X	X	X	X	X	X	X	X	X	X	X	
12	1.4571	600°C	2000 mm	462220162000	X	X			X	X	X	X	X	X	X	X	X	X	X	X	X	X	X	X	X	X	X	X	X	X	X	X	X	X	X	
13	Kanthal / 1.4571	1400°C	up to 1 m	46222017	X	X			X	X	X	X	X	X	X	X	X	X	X	X	X	X	X	X	X	X	X	X	X	X	X	X	X	X	X	
	Sample tube with demister PVDF/ETFE	120°C	800 mm	46222040	X	X			X	X	X	X	X	X	X	X	X	X	X	X	X	X	X	X	X	X	X	X	X	X	X	X	X	X	X	
	Demister ETFE / as spare part	120°C		462220402	X	X			X	X	X	X	X	X	X	X	X	X	X	X	X	X	X	X	X	X	X	X	X	X	X	X	X	X	X	
	Sample tube with demister / 1.4571	400°C	300 mm	4622204203	X	X			X	X	X	X	X	X	X	X	X	X	X	X	X	X	X	X	X	X	X	X	X	X	X	X	X	X	X	
	Sample tube with demister / 1.4571	400°C	500 mm	4622204205	X	X			X	X	X	X	X	X	X	X	X	X	X	X	X	X	X	X	X	X	X	X	X	X	X	X	X	X	X	
	Sample tube with demister / 1.4571	400°C	1000 mm	4622204210	X	X			X	X	X	X	X	X	X	X	X	X	X	X	X	X	X	X	X	X	X	X	X	X	X	X	X	X	X	
	Demister 1.4571 / as spare part	400°C		4611004	X	X			X	X	X	X	X	X	X	X	X	X	X	X	X	X	X	X	X	X	X	X	X	X	X	X	X	X	X	

Sample tubes, in-situ filters and extensions

- Various materials
- Various dimensions
- Heated or nonheated extensions

In-situ filter	Material	T max.	Length	Pore size	Part No.:	222.10	222.11	222.30	222.35-U	222.15	222.17	222.20	222.21	222.31	222.35	222.20 DH	222.20 ATEX	222.21 ATEX	222.31 ATEX	222.35 ATEX	222.10 ANSI	222.11 ANSI/ CSA	222.30 ANSI/ CSA	222.35-U ANSI/ CSA	222.15 ANSI/ CSA	222.17 ANSI/ CSA	222.20 ANSI/ CSA	222.21 ANSI/ CSA	222.31 ANSI/ CSA	222.35 ANSI/ CSA	222.20 DH ANSI/ CSA	222.20 AMEX	222.21 AMEX	222.31 AMEX	222.35 AMEX	Type GAS			
03	stainless steel	600°C	237 mm	5 µm	46222303		X						X					X																					
03F	stainless steel	600°C	237 mm	0.5 µm	46222303F*		X						X					X																					
03H	Hastelloy	600°C	237 mm	5 µm	46222303H*		X						X					X																					
03HF	Hastelloy	600°C	237 mm	0.5 µm	46222303HF*		X						X					X																					
031	stainless steel, with displacer	600°C	237 mm	5 µm	462223031								X					X																					
031F	stainless steel, with displacer	600°C	237 mm	0.5 µm	462223031F*								X					X																					
031H	Hastelloy, with displacer	600°C	237 mm	5 µm	462223031H*								X					X																					
031HF	Hastelloy, with displacer	600°C	237 mm	0.5 µm	462223031HF*								X					X																					
04	stainless steel	600°C	538 mm	5 µm	46222304								X					X																					
04F	stainless steel	600°C	538 mm	0.5 µm	46222304F*								X					X																					
04H	Hastelloy	600°C	538 mm	5 µm	46222304H*								X					X																					
04HF	Hastelloy	600°C	538 mm	0.5 µm	46222304HF*								X					X																					
041	stainless steel, with displacer	600°C	538 mm	5 µm	462223041								X					X																					
041F	stainless steel, with displacer	600°C	538 mm	0.5 µm	462223041F*								X					X																					
041H	Hastelloy, with displacer	600°C	538 mm	5 µm	462223041H*								X					X																					
041HF	Hastelloy, with displacer	600°C	538 mm	0.5 µm	462223041HF*								X					X																					
07	Ceramics / 1,4571	1000°C ¹⁾	478 mm	2 µm	46222307								X					X																					
07F	Ceramics / 1,4571	1000°C ¹⁾	478 mm	0.3 µm	46222307F*								X					X																					
07 ANSI	Ceramics / 1,4571	1000°C ¹⁾	478 mm	2 µm	46222307C								X					X																					
35	stainless steel	600°C	229 mm	5 µm	46222359								X					X																					
35F	stainless steel	600°C	229 mm	0.5 µm	46222359F*								X					X																					

* Prices and delivery time on request

1) Hot gas filtration, oxidizing atmosphere max. 750 °C
Hot gas filtration, reductive atmosphere max. 600 °C

Sample tubes, in-situ filters and extensions

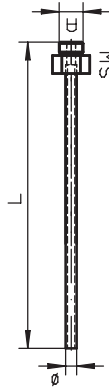
- Various materials
- Various dimensions
- Heated or nonheated extensions

			Part No.:	Type GAS																						
Protection shield																										
for in-situ filter 03				462223034																						
for in-situ filter 04				462223044	X		X		X		X		X		X		X		X		X		X		X	
Extensions																										
Typ	Material	Mains voltage	Length																							
G3/4 nonheated	1.4571		0.2 m	X																						
G3/4 nonheated	1.4571		0.4 m	X																						
G3/4 nonheated	1.4571		0.5 m	X																						
G3/4 nonheated	1.4571		0.7 m	X																						
G3/4 nonheated	1.4571		1 m	X																						
G3/4 nonheated	1.4571		1,2 m	X																						
G3/4 nonheated	1.4571		1,5 m	X																						
G3/4 nonheated	1.4571		2 m	X																						
G1/2 nonheated	1.4571		0,25 m					X																		
G1/2 nonheated	1.4571		0,5 m					X																		
G1/2 nonheated	1.4571		0,7 m					X																		
G1/2 nonheated	1.4571		1,5 m					X																		
GF heated*	1.4571	230V	0,5 m								X															
GF heated*	1.4571	230V	1 m								X															
GF ANSI / CSA,heated*	1.4571	115V	0,5 m										X													
GF ANSI / CSA,heated*	1.4571	115V	1 m										X													
Controller for heated extension integrated into probe controller				46222292																						

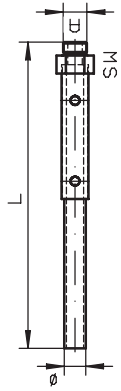
* Mounting is only possible at a plain flange without G3/4 thread. Therefore a G has to be added to the part number, e.g. 4622220G.
It is not possible to add a heated extension after delivery.

Entnahmerohre / tubes

Typ	L	ø	A	SW
01	var.	12	G3/4	36
06	var.	12	G3/4	36
08	var.	21,3	G3/4	36
12	var.	20	G3/4	36
13	var.	15	G3/4	36
14	var.	18	G3/4	36

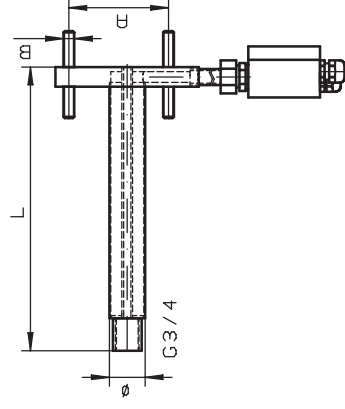
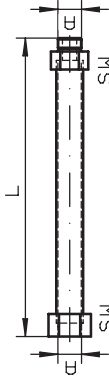


Typ	L	ø	A	SW
02-0,5	500	24	G3/4	36
02-1,0	1000	24	G3/4	36
02-1,5	1500	24	G3/4	36



Verlängerungen / extensions

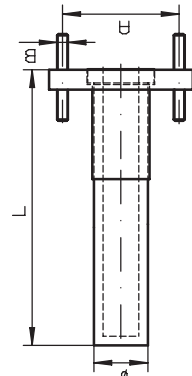
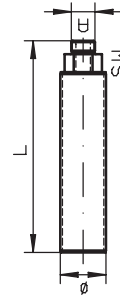
Unbeheizt / unheated				
Typ	L	A	SW	
G3/4	0,2-2 m	G3/4	36	
G1/2	0,25-1,5 m	G1/2	27	



Beheizt / heated				
Typ	L	ø	A	B
GF	500	40	DN65 PNG	M12
GF	1000	40	DN65 PNG	M12
GF ANSI/CSA	500	40	DN3"-150	M16
GF ANSI/CSA	1000	40	DN3"-150	M16

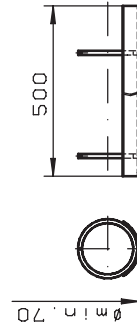
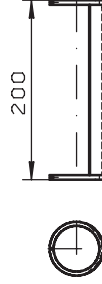
Eintrittsfilter / in-situ filter

Typ	L	ø	A	SW
03	237	51	G3/4	36
031	237	51	G3/4	36
04	538	60	G3/4	36
041	538	60	G3/4	36
35	229	29	G1/2	27



Abweisblech / protection shield

Eintrittsfilter / in-situ filter 03



Eintrittsfilter / in-situ filter 04

Alle Konten gratfrei Oberflächenbear- beitungszeichen	Bh.	Rf. 68	Rf. 16	Rf. 4
<input checked="" type="checkbox"/>	<input checked="" type="checkbox"/>	<input checked="" type="checkbox"/>	<input checked="" type="checkbox"/>	<input checked="" type="checkbox"/>
<input checked="" type="checkbox"/>	<input checked="" type="checkbox"/>	<input checked="" type="checkbox"/>	<input checked="" type="checkbox"/>	<input checked="" type="checkbox"/>
<input checked="" type="checkbox"/>	<input checked="" type="checkbox"/>	<input checked="" type="checkbox"/>	<input checked="" type="checkbox"/>	<input checked="" type="checkbox"/>
<input checked="" type="checkbox"/>	<input checked="" type="checkbox"/>	<input checked="" type="checkbox"/>	<input checked="" type="checkbox"/>	<input checked="" type="checkbox"/>

ALLE RECHTE VORBEHALTEN		Maße ohne Toleranzen nach ISO 2768-mk		Maßstab 1:5 (Gewicht)	
Zust.	Fnd.	Datum	Name	Erre	fUr
o	neu	29.09.06	Br.		

Benennung: Rohre/Filter/Verlängerungen tubes/filter/extensions GAS 222	
Zeichn.-Nr. 46/107-Z01-01-3A	
Art. -Nr.	
ARBEITSANLEITUNG:	



Blowback		Part No.:	Ambient temperature	Type GAS
<ul style="list-style-type: none"> ▪ With ball valve or solenoid valve ▪ Heated or nonheated ▪ Manuell or automatic control 				
Capacitive vessel				
PAV 01		46222PAV		
Accessories for capacitive vessel				
ball valve		46222PAV/KH		
2/2-way-MV 24VDC*		46222PAV/MV1	-10 ... +55°C	
2/2-way-MV 110V 50Hz		46222PAV/MV2	-10 ... +55°C	
2/2-way-MV 220-230V 50/60Hz		46222PAV/MV3	-10 ... +55°C	
2/2-way-MV 24VUC ATEX II 2G/D EEx m II T4 IP65		46222PAV/MV4	-10 ... +60°C	
2/2-way-MV 110VUC ATEX II 2G/D EEx m II T4 IP65		46222PAV/MV5	-10 ... +60°C	
2/2-way-MV 230VUC ATEX II 2G/D EEx m II T4 IP65		46222PAV/MV6	-10 ... +60°C	
2/2-way- AMEX 120V/ 60 Hz UL/CSA/ FM Ex Div 2		46222PAV/MV8	-10 ... +55°C	
2/2-way- AMEX 240V/ 60 Hz UL/CSA/ FM Ex Div 2		46222PAV/MV9	-10 ... +55°C	
self regulated heating system 115/230V 50/60Hz		46222PAV/HZ1		
self regulated heating system 115-230V 50/60Hz ATEX 2		46222PAV/HZ2		
self regulated heating system 115-230V 50/60Hz ATEX 2		46222PAV/HZ3		
self regulated heating system AMEX, 115-230V, 50/60 Hz, C11 Div 2 B.C.D.T3		46222PAV/HZ4		
self regulated heating system AMEX, 115-230V, 50/60 Hz, C11 Div 2 B.C.D.T4		46222PAV/HZ6		
support of pressurised vessel		462223502		
Bourdon tube pressure gauge 0-10 bar		46222PAV/MA		
Pneumatic actuators				
spring return, opened unpressurised		46222008		
spring return, closed unpressurised		46222030		
double action		46222009		
limit switch		9008928		
limit switch ATEX II 2G/3D IIC T6 IP65 85°C		9008930		
3/2-way-SV for controlling of pneumatic actuator				
24VDC		46222075	-10 ... +55°C	
110V 50Hz		46222076	-10 ... +55°C	
230V 50Hz		46222077	-10 ... +55°C	
ATEX 24 V UC II 2G/D EEx m II T4		46222078	-10 ... +60°C	
ATEX 110 V UC II 2G/D EEx m II T4		46222079	-10 ... +60°C	
ATEX 230 V UC II 2G/D EEx m II T4		46222080	-10 ... +60°C	
AMEX 120V 60 Hz, NPT 1/4", UL/CSA/ FM-Ex Div.2		46222050	-10 ... +55°C	
AMEX 240V 60 Hz, NPT 1/4", UL/CSA/ FM-Ex Div.2		46222056	-10 ... +55°C	
5/2-way-SV for controlling of pneumatic actuator		9148000117	-10 ... +70°C	
Blowback controller				
RSS 24VDC, IP65		46222199		
RSS 115/230 VAC, IP65		46222299		
RSS-MC integrated into probe controller cabinet		46222392		

*max. pressure 6 bar

Details:

A) Blowback

Ordering note for capacitive vessel:

For attachment to GAS 222.11 / 30 / 35-U, a support is required.

Ordering note for pneumatic actuator:

If a blowback controller is required, only actuator P/N 46222030 is possible.

We advise the installation of a position indicator switch to control the pneumatic actuator.

Integrated blowback controller in the probe controller

In addition to the stand-alone blowback controller (RRS), an integrated blowback controller is optionally available

Blowback cycle time and actual blowback time can be adjusted via the keys and menu of the controller. The blowback and manual operation will be shown on the display. The blowback controller can be programmed via the keys – manual or automatic operation is possible. Besides the status output of the controller, a blowback status signal is provided. Blowback will be usually initiated by signals coming from the main controls.

If the position indicator switch is installed, the controller will use this input for the process logic.

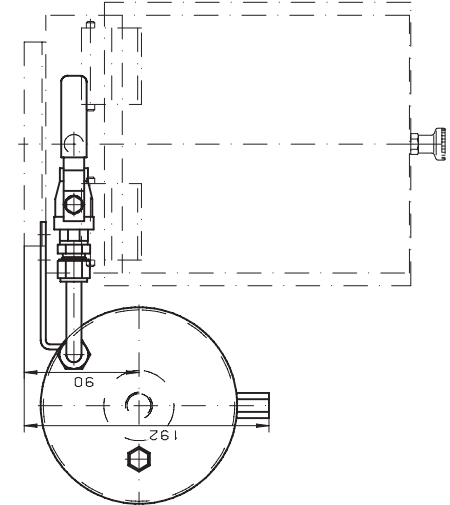
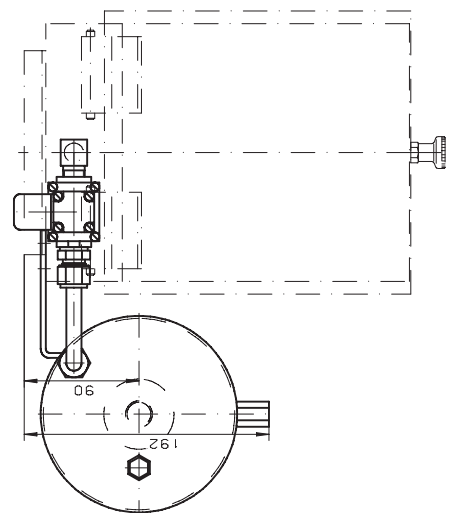
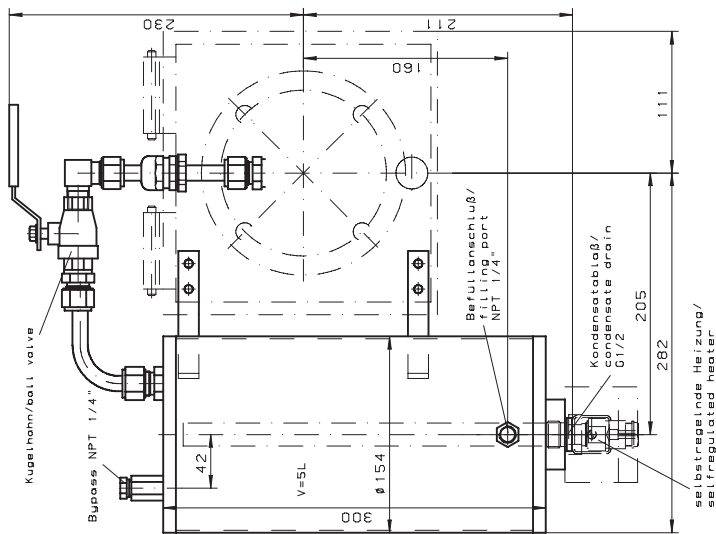
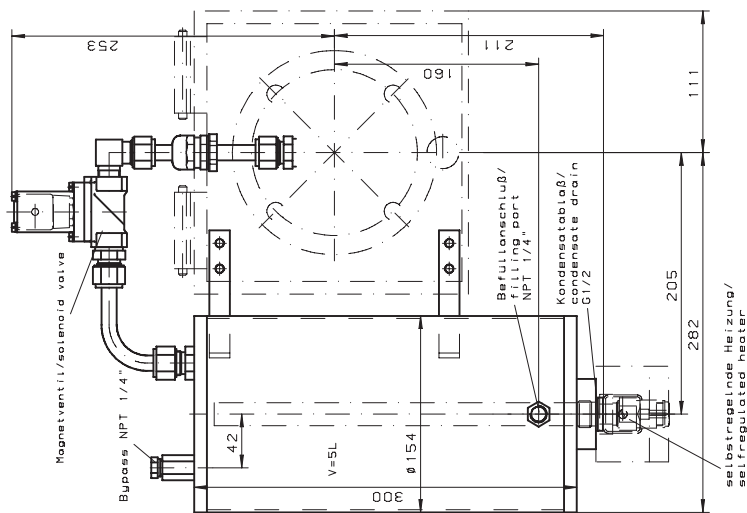
B) Hazardous Areas

Please note that installed accessories may change the approved category of the probe. Follow strictly the advices given in the installation- and operation manual and regard the marking on the type plate.

Sample Gas Probe GAS 222.xx Atex		
Model	with Accessories	resulting restricted area; marking
21 Atex, 31 Atex, 35 Atex	Pressure vessel PAV 01 (Part-No. 46222PAV with accessories)	II 1D / 2GD
21 Atex, 31 Atex,	In situ filter*, ceramics (Art.-Nr.:46222307 + 46222307F)	II 1D 3G / 2GD
20 Atex , 21 Atex,	Downstream filter*, ceramic (Part-No. 46222026 + 46222026P)	II 1D 3G / 2GD
20 Atex, 21 Atex,	Sample tube (Part-No. 46222001, 462220011, 46222006, 46222004, 46222016)	II 1G / 2GD
20 Atex, 21 Atex,	Sample tube**, ceramics (Part-No. 4622200205, 4622200210, 4622200215)	II 3G / 2GD
21 Atex, 31 Atex,	Pneumatic cylinder with end switch Atex (Part-No. 46222019)	II 1GD / 2G3D

* Accessory not suitable for sampling dust with extremely low ignition energy < 3mJ.

** When gases are sampled from Zone 2, ceramic sample tube must be used only if application related or process related electrostatic charging is eliminated.



Pressão máx. de funcionamento 10 bar
 Temperatura máx. de funcionamento 50 °C
 "Alterações apenas permitidas depois de acordadas
 com o responsável da Atex"

max. Betriebsdruck/operating pressure 10bar
 max. Betriebstemperatur/operating temperature 50 °C

"Anderungen nur nach Rücksprache
 mit dem Atexbeauftragten zulässig"

Alle Kanten gratfrei Dunstfächerbar- belegzeichen	Moße ohne Toleranzenangabe nach ISO 2768-MK	Maßstab 1:2,5	(Gewicht)
<input checked="" type="checkbox"/> No	ALLE RECHTE VORBEHALTEN	Herzstoff:	
<input checked="" type="checkbox"/> N		Benennung:	Druckluftbehälter/ capacitive vessel PAV 01
<input checked="" type="checkbox"/> R		Zeilinien-Nr.	46 / 106-201-01-2
<input checked="" type="checkbox"/> T		Pr.-Nr.	
<input checked="" type="checkbox"/> F		Zust. des Herst.	BÜHLER
<input checked="" type="checkbox"/> T		Arb.-Nr.	
		ARBEITSSZEICHNUNG:	

Downstream filter elements and further options

Downstream filter		Part no.:	Type GAS																																			
Material	O-Rings	Pore size	222.10	222.11	222.30	222.35-U	222.15	222.17	222.20	222.21	222.31	222.35	222.20 DH	222.21 ATEX	222.31 ATEX	222.35 ATEX	222.20 ATEX2	222.21 ATEX2	222.31 ATEX2	222.35 ATEX2	222.11 ANSI/CSA	222.30 ANSI/CSA	222.35-U ANSI/CSA	222.15 ANSI/CSA	222.17 ANSI/CSA	222.20 ANSI/CSA	222.21 ANSI/CSA	222.31 ANSI/CSA	222.35 ANSI/CSA	222.20 DH ANSI/CSA	222.21 AMEX	222.31 AMEX	222.35 AMEX					
Ceramics	Viton	3 µm	X	X	X	X	X	X	X	X	X	X	X	X	X	X	X	X	X	X	X	X	X	X	X	X	X	X	X	X	X	X	X	X	X			
Ceramics	Perfluorelastomer	3 µm	X	X	X	X	X	X	X	X	X	X	X	X	X	X	X	X	X	X	X	X	X	X	X	X	X	X	X	X	X	X	X	X	X			
Sintered stainless steel	Viton	5 µm	X	X	X	X	X	X	X	X	X	X	X	X	X	X	X	X	X	X	X	X	X	X	X	X	X	X	X	X	X	X	X	X	X	X		
Sintered stainless steel	Perfluorelastomer	5 µm	X	X	X	X	X	X	X	X	X	X	X	X	X	X	X	X	X	X	X	X	X	X	X	X	X	X	X	X	X	X	X	X	X	X		
Sintered stainless steel	Viton	0.5 µm	X	X	X	X	X	X	X	X	X	X	X	X	X	X	X	X	X	X	X	X	X	X	X	X	X	X	X	X	X	X	X	X	X	X		
Sintered stainless steel	Perfluorelastomer	0.5 µm	X	X	X	X	X	X	X	X	X	X	X	X	X	X	X	X	X	X	X	X	X	X	X	X	X	X	X	X	X	X	X	X	X	X		
Pleated stainless steel	Viton	10 µm	X	X	X	X	X	X	X	X	X	X	X	X	X	X	X	X	X	X	X	X	X	X	X	X	X	X	X	X	X	X	X	X	X	X		
Pleated stainless steel	Perfluorelastomer	10 µm	X	X	X	X	X	X	X	X	X	X	X	X	X	X	X	X	X	X	X	X	X	X	X	X	X	X	X	X	X	X	X	X	X	X		
Handle for downstream filter with micro glass fibre element	Micro glass fiber with silicate binder		X	X	X	X	X	X	X	X	X	X	X	X	X	X	X	X	X	X	X	X	X	X	X	X	X	X	X	X	X	X	X	X	X	X		
Micro glass fiber with silicate binder	Viton		X	X	X	X	X	X	X	X	X	X	X	X	X	X	X	X	X	X	X	X	X	X	X	X	X	X	X	X	X	X	X	X	X	X		
Micro glass fiber with silicate binder	Perfluorelastomer		X	X	X	X	X	X	X	X	X	X	X	X	X	X	X	X	X	X	X	X	X	X	X	X	X	X	X	X	X	X	X	X	X	X		
Closing handle with filter tube and filter wool	Viton		X	X	X	X	X	X	X	X	X	X	X	X	X	X	X	X	X	X	X	X	X	X	X	X	X	X	X	X	X	X	X	X	X	X	X	
Closing handle with filter tube and filter wool	Perfluorelastomer		X	X	X	X	X	X	X	X	X	X	X	X	X	X	X	X	X	X	X	X	X	X	X	X	X	X	X	X	X	X	X	X	X	X	X	
Filter wool			X	X	X	X	X	X	X	X	X	X	X	X	X	X	X	X	X	X	X	X	X	X	X	X	X	X	X	X	X	X	X	X	X	X	X	
Set of O-rings Viton incl. grease			X	X	X	X	X	X	X	X	X	X	X	X	X	X	X	X	X	X	X	X	X	X	X	X	X	X	X	X	X	X	X	X	X	X	X	
Set of O-rings Perfluorelastomer incl. grease			X	X	X	X	X	X	X	X	X	X	X	X	X	X	X	X	X	X	X	X	X	X	X	X	X	X	X	X	X	X	X	X	X	X	X	
Further options																																						
Adapter flange ANSI 3"-150lbs			X	X	X	X	X	X	X	X	X	X	X	X	X	X	X	X	X	X	X	X	X	X	X	X	X	X	X	X	X	X	X	X	X	X	X	
Cal gas connection ø6mm			X	X	X	X	X	X	X	X	X	X	X	X	X	X	X	X	X	X	X	X	X	X	X	X	X	X	X	X	X	X	X	X	X	X	X	X
Cal gas connection ø6mm with check valve			X	X	X	X	X	X	X	X	X	X	X	X	X	X	X	X	X	X	X	X	X	X	X	X	X	X	X	X	X	X	X	X	X	X	X	X
Cal gas connection ø1/4"			X	X	X	X	X	X	X	X	X	X	X	X	X	X	X	X	X	X	X	X	X	X	X	X	X	X	X	X	X	X	X	X	X	X	X	X
Cal gas connection ø1/4" with check vavle			X	X	X	X	X	X	X	X	X	X	X	X	X	X	X	X	X	X	X	X	X	X	X	X	X	X	X	X	X	X	X	X	X	X	X	X
Fitting for sample gas port ø6mm			X	X	X	X	X	X	X	X	X	X	X	X	X	X	X	X	X	X	X	X	X	X	X	X	X	X	X	X	X	X	X	X	X	X	X	X
Fitting for sample gas port ø8mm			X	X	X	X	X	X	X	X	X	X	X	X	X	X	X	X	X	X	X	X	X	X	X	X	X	X	X	X	X	X	X	X	X	X	X	X
Fitting for back wash port ø12mm			X	X	X	X	X	X	X	X	X	X	X	X	X	X	X	X	X	X	X	X	X	X	X	X	X	X	X	X	X	X	X	X	X	X	X	X
Fitting for sample gas port ø1/4"			X	X	X	X	X	X	X	X	X	X	X	X	X	X	X	X	X	X	X	X	X	X	X	X	X	X	X	X	X	X	X	X	X	X	X	X
Fitting for sample gas port ø3/8"			X	X	X	X	X	X	X	X	X	X	X	X	X	X	X	X	X	X	X	X	X	X	X	X	X	X	X	X	X	X	X	X	X	X	X	X
Fitting for back wash port ø1/2"			X	X	X	X	X	X	X	X	X	X	X	X	X	X	X	X	X	X	X	X	X	X	X	X	X	X	X	X	X	X	X	X	X	X	X	X
Locking screw G3/8 for backflush connection			X	X	X	X	X	X	X	X	X	X	X	X	X	X	X	X	X	X	X	X	X	X	X	X	X	X	X	X	X	X	X	X	X	X	X	X
Sealing ring for sealing the backflush connection with a locking screw			X	X	X	X	X	X	X	X	X	X	X	X	X	X	X	X	X	X	X	X	X	X	X	X	X	X	X	X	X	X	X	X	X	X	X	X
Mounting bracket with clamp ring for DN65 PNG			X	X	X	X	X	X	X	X	X	X	X	X	X	X	X	X	X	X	X	X	X	X	X	X	X	X	X	X	X	X	X	X	X	X	X	X
Mounting bracket with clamp ring for ANSI 3"-150 lbs																																					X	

* Prices and delivery time on request