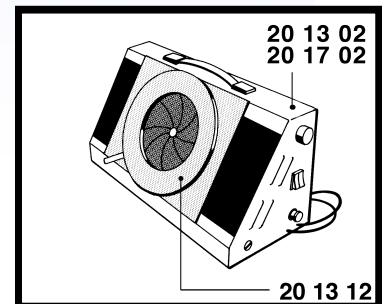


WILNOS – X-Ray Film Viewer WilnoLED – Universal-plus

Li.-No. 20 17 02



Technical Data

- **LED Illumination**
- **Luminance up to 500,000 cd/sqm**
- **up to D = 4.7** in accordance to EN 25580, ISO 5580, ASTM E 1390
- **Illuminated area** 120 x 180 mm
- With 3 additional masks for 15 cm, 10 cm und 6 cm wide films.
- optionally available: Iris diaphragm unit, 6 to 120 mm diameter Li.Nr. 20 13 12
- Continuous brightness control from 10 to 100%
- Switchable from continuous light to foot switch mode
- Adjustable background luminosity to avoid glare
- Power line cable and foot switch cable now connected with plugs

Electrical Data 100 - 240V ~ at 50 – 60 Hz, 650 VA

Size 220 x 185 x 360 mm

Weight 7 kg net

Housing Powder coating

Wilhelm Nosebüsck GmbH

Schallbruch 59
info@wilnos.de

• D 42781 Haan
• www.wilnos.de

• Tel. 0 21 29 / 55 62 0

• Fax +49 - 2129/55 62 49