



MP 49 Stainless Steel Shear Beam Load Cell



500 kg ... 5 t Type C3

- Full stainless steel construction
- Compatible with other sources
- Hermetically welded seal (IP 67)
- Approved according to OIML R60

Applications

- Platform scales
- Tank & Hopper scales

Technical Data		C3	
Accuracy class		0.025	%
Minimum dead load	E_{min}	2	% E_{max}
Rated capacity	E_{max}	s. table	
Safe overload	E_U	150	% E_{max}
Destructive load	E_d	> 300	% E_{max}
Minimum LC verification interval $v_{min} = E_{max}/Y$		8,333	
Rated output	C_n	2	mV/V
Tolerance on rated output	d_c	≤ 0.25	% C_n
Zero output signal	S_{min}	≤ 1	% C_n
Repeatability	ϵ_R	≤ 0.012	% C_n
Creep, during 30 min.	d_{cr}	≤ 0.017	% C_n
Temperature effect on S_{min}	$TK_{S_{min}}$	≤ 0.017	% $C_n/10K$
Temperature effect on C	TK_c	≤ 0.011	% $C_n/10K$
Input impedance	R_{iC}	350 ± 7	Ω
Output impedance	R_o	352 ± 3	Ω
Insulation impedance	R_{iS}	> 2,000	MΩ
Recommended supply voltage	B_u	10	V
Maximum supply voltage	U_{max}	15	V

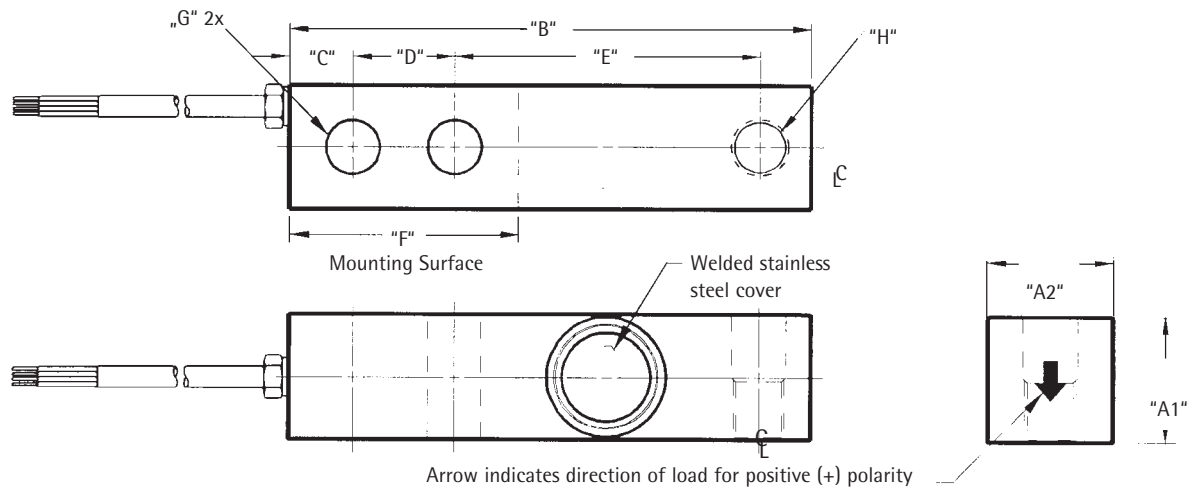
Technical Data

C3

Nominal ambient temperature range	B_T	-10 to +40	°C
Usable ambient temperature range	B_{TU}	-20 to +65	°C
Nominal deflection	S_{nom}	≤ 0.7 (to 2 t), $\leq 1,4$ (3 t, 5 t)	mm
Cable	-	6 m, 4 wires with screen	
Protection class	-	IP 67	

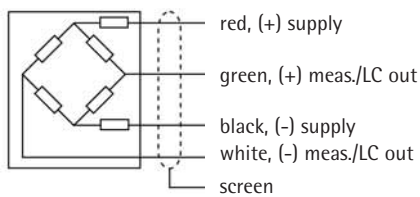
The technical data given here serve only as a product description and must not be interpreted as guaranteed characteristics in the legal sense.

- Temperature effect on sensitivity and combined error (accuracy class) are combined in such a way that the load cells meet the tolerance envelope of the OIML recommendations R60.
- When selecting load cells for a particular environment, the IP rating should only be used as a guide. Care should be given to the design of the weighing product to protect the load cell.
- The correct mounting of the load cell is essential to obtain optimum performance.



Dimensions all in mm

Capacity	F	E	D	C	B	A1	A2	Ø G	Ø H	H	Weight
500 kg... 2 t	57.1	76.2	25.4	16	130	31	31	13.0	13.0	M12×1.75	1.8 kg
3 t, 5 t	76.2	95.2	38.1	19	171.4	37.8	37.8	20.6	20.6	M20×2.5	2.9 kg



Order information

Type	Order number	Max. capacity (2 mV/V)
MP49/52 C3	9408 800 49527	500 kg
MP49/13 C3	9408 800 49137	1000 kg
MP49/23 C3	9408 800 49337	2000 kg
MP49/33 C3	9408 800 49527	3000 kg
MP49/53 C3	9408 800 49537	5000 kg

Specifications subject to change without notice.
 Printed in Germany.
 n/sart · C
 Publication No.: HMP2004-e10101
 Order No.: 9498 708 49001
 Version 04.2010

Sartorius Mechatronics T&H GmbH
 Meiendorfer Strasse 205
 22145 Hamburg, Germany

Phone +49.40.67960.303
 Fax +49.40.67960.383

info.mechatronics@sartorius.com
 www.sartorius-mechatronics.com