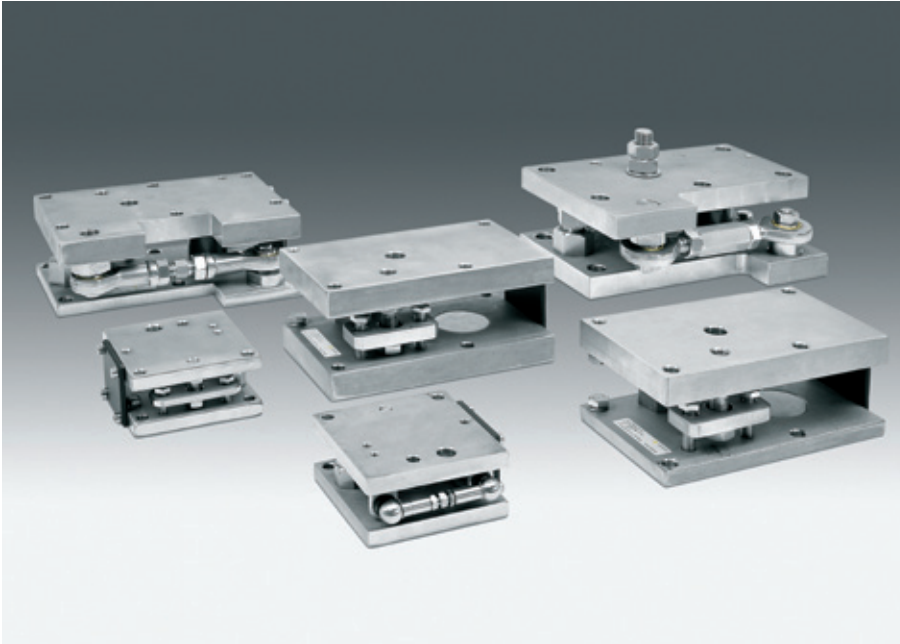


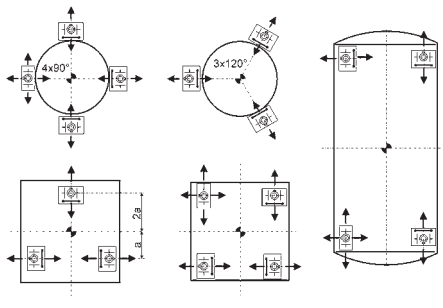
PR 6012

Stainless steel mounting kit for load cells PR 6211



- Fast and simple installation due to integrated Jack-up- and Dummy-function
- Best weighing performance since mounting kits and load cells form a complete weighing unit
- Integrated lift-off protection
- Made from stainless steel
- Compact shape for lower space demand
- Complete maintenance free

The mounting kit PR6012 provides the maximum level of functionality. All of the basic functions, such as ideal force introduction, accessories for load introduction in the correct hardness and additional safety and service functions are delivered as standard.

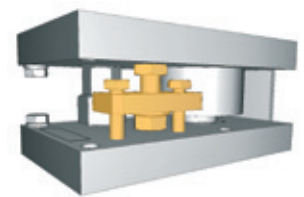


Application examples

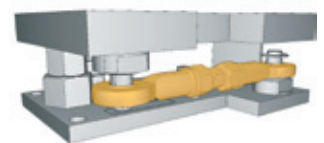
The PR 6012 is built with integrated lift-off protection, preventing any tilting of the vessel without the need for additional constructions. Utilizing the jack-up function, a vessel can be raised without the use of any external devices. Additionally, in-built constrainers protect the load cell against any horizontal force and hold the vessel in a safe position. During the installation phase the dummy function can be used, this eliminates the need for dummy load cells.

The PR6012 is characterized by its sleek, compact shape which facilitates compact, space saving constructions. This mounting kit is widely accepted across many industries as the optimal solution for process vessel scales holding just a few kilograms right the way up to 40 t.

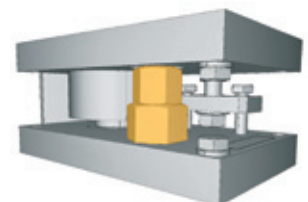
All Sartorius mounting kits are marked with the prestigious slogan "made in Germany" testament to their quality and longevity.



Integrated lift-off-protection



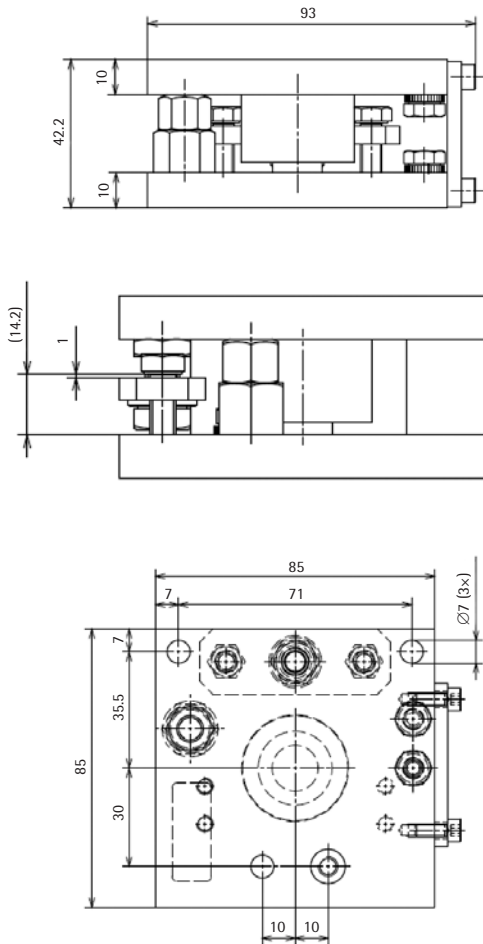
Integrated horizontal constrainer



Integrated Jack-up- and Dummy-function

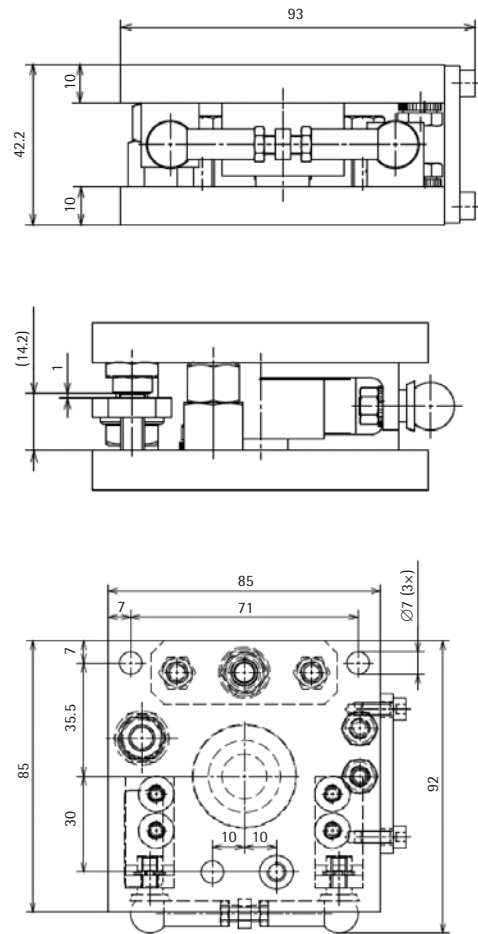
Mounting kits for PR 6211 (30 kg – 300 kg)

PR 6012/00S



Dimensions in mm

PR 6012/20S



Dimensions in mm

PR 6012/00S

Technical data

Mounting with bolts M6
Integrated Lift-off-protection up to 4 kN
Integrated Jack-up-function up to 300 kg

Material

Stainless steel 1.4301 according to
DIN EN 10088-3

Capacities

For load cells PR 6211 in capacities
from 30 kg up to 300 kg

MaxiFLEXLOCK PR 6012/20S

Technical data

Mounting with bolts M6
Max. continuous horizontal force
for the constrainer 450 N
Integrated Lift-off-protection up to 4 kN
Integrated Jack-up-function up to 300 kg

Material

Stainless steel 1.4301 according to
DIN EN 10088-3

Capacities

For load cells PR 6211 in capacities
from 30 kg up to 300 kg

Accessories

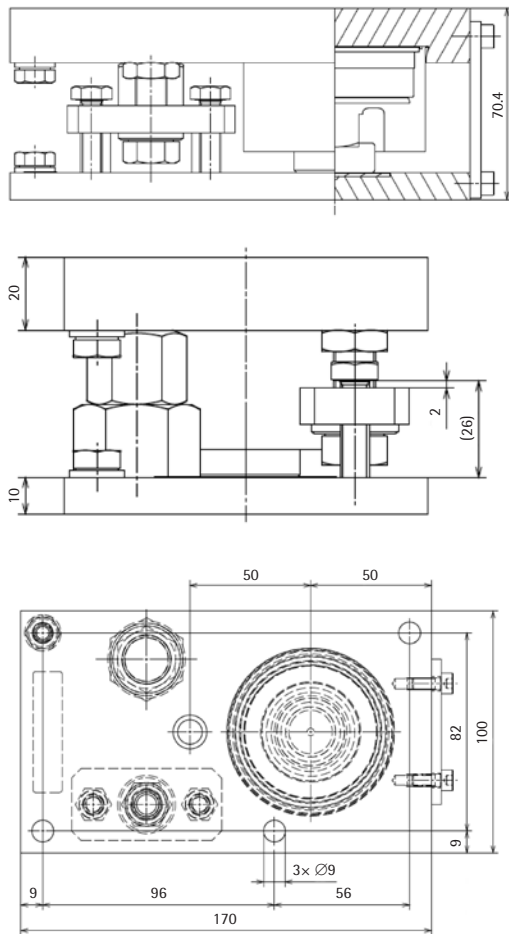
(supplied with the mounting kits)
- Bolts and washer to fix the earthing cable
- Instruction manual
- Drilling template

Order information

Type	Description	Weight gross net	Order number
PR 6012/00S	Mounting plate kit	1.7 kg 1.2 kg	9405 360 12002
PR 6012/20S	MaxiFLEXLOCK	1.7 kg 1.3 kg	9405 360 12202

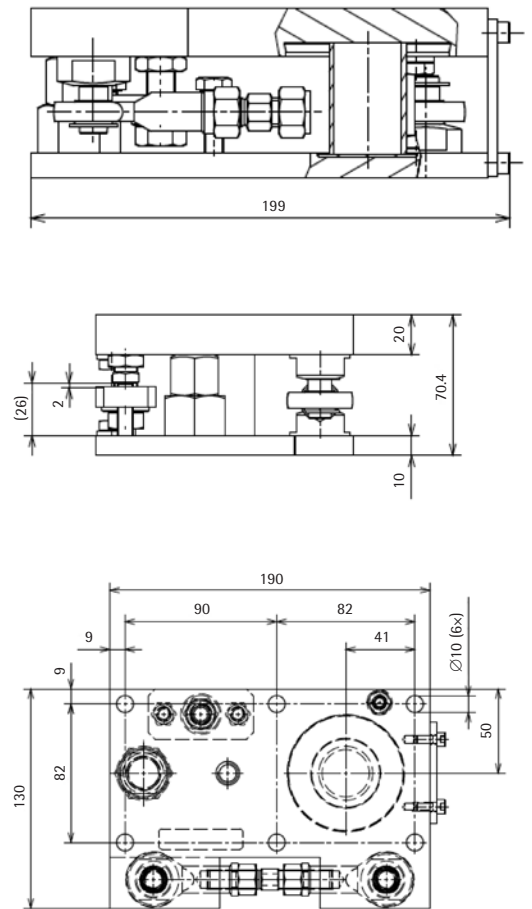
Mounting kits for PR 6211 (500 kg – 10 t)

PR 6012/10S



Dimensions in mm

PR 6012/30S



Dimensions in mm

PR 6012/10S

Technical data

Mounting with bolts M10
Integrated Lift-off-protection up to 10 kN
Integrated Jack-up-function up to 5 t

Material

Stainless steel 1.4301 according to
DIN EN 10088-3

Capacities

For load cells PR 6211 in capacities
from 500 kg up to 10 t

MaxiFLEXLOCK PR 6012/30S

Technical data

Mounting with bolts M8
Max. continuous horizontal force
for the constrainer 5 kN
Integrated Lift-off-protection up to 10 kN
Integrated Jack-up-function up to 5 t

Material

Stainless steel 1.4301 according to
DIN EN 10088-3

Capacities

For load cells PR 6211 in capacities
from 500 kg up to 10 t

Accessories

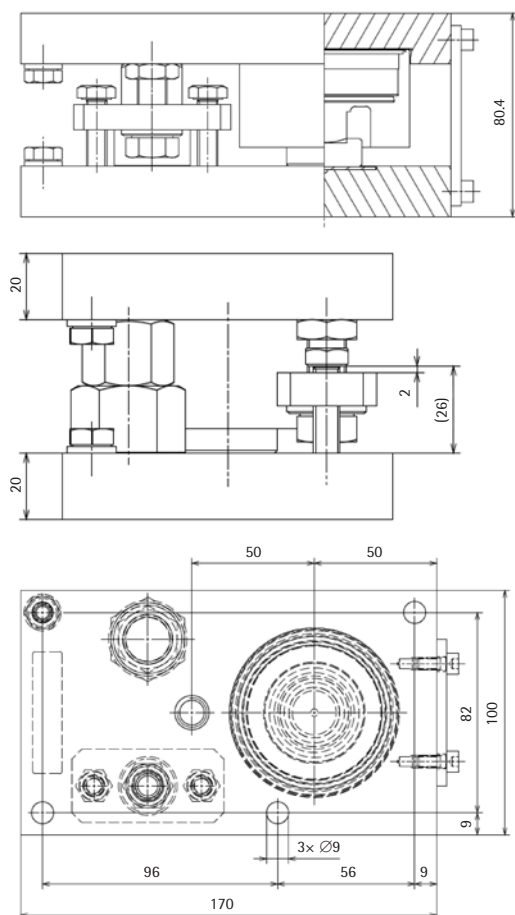
(supplied with the mounting kits)
- Bolts and washer to fix the earthing cable
- Instruction manual
- Drilling template

Order information

Type	Description	Weight gross net	Order number
PR 6012/10S	Mounting plate kit	4.6 kg 4.2 kg	9405 360 12102
PR 6012/30S	MaxiFLEXLOCK	6.2 kg 5.9 kg	9405 360 12302

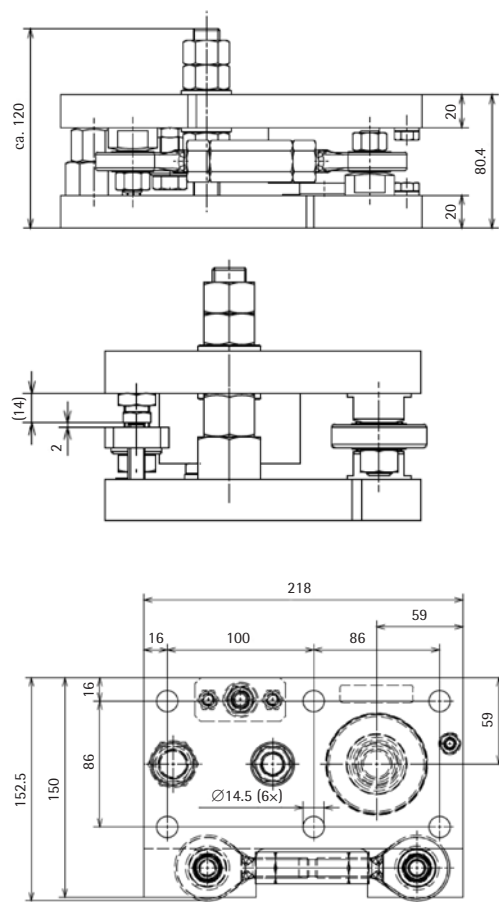
Mounting kits for PR 6211 (500 kg – 10 t)

PR 6012/11S



Dimensions in mm

PR 6012/40S



Dimensions in mm

PR 6012/11S

Technical data

Mounting with bolts M12
Integrated Lift-off-protection up to 10 kN
Integrated Jack-up-function up to 5 t

Material

Stainless steel 1.4301 according to
DIN EN 10088-3

Capacities

For load cells PR 6211 in capacities
from 500 kg up to 10 t

Order information

Type	Description	Weight gross net	Order number
PR 6012/11S	Mounting plate kit	5.8 kg 5.5 kg	9405 360 12112
PR 6012/40S	SeismoFLEX	9.7 kg 9.4 kg	9405 360 12402

SeismoFLEX PR 6012/40S

Technical data

Mounting with bolts M12
Max. continuous horizontal force
for the constrainer 20 kN
Integrated Lift-off-protection up to 10 kN
Integrated Jack-up-function up to 5 t

Material

Stainless steel 1.4301 according to
DIN EN 10088-3

Capacities

For load cells PR 6211 in capacities
from 500 kg up to 10 t

Accessories

(supplied with the mounting kits)
– Bolts and washer to fix the earthing cable
– Instruction manual
– Drilling template