

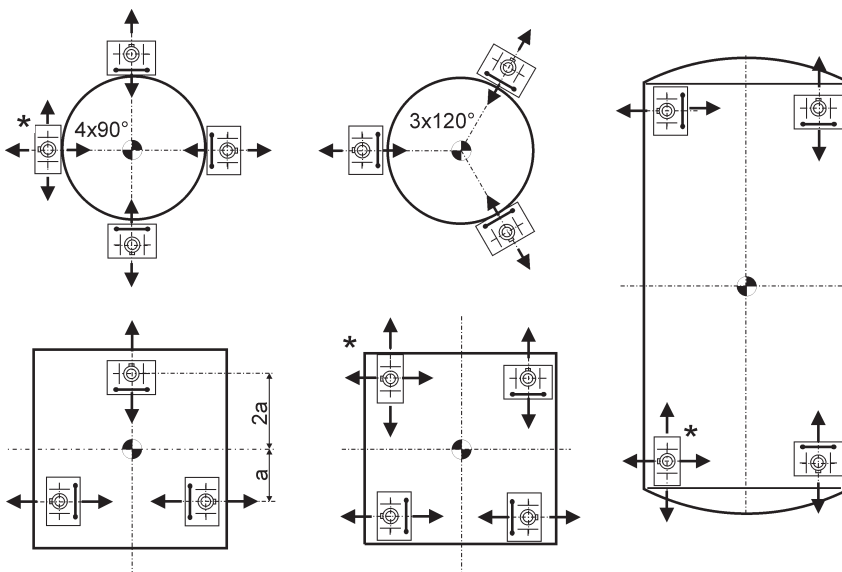


PR 6002

Mounting kit for load cell PR 6202



- Easy and fast installation
- Optimised for load cell PR6202 and weighing task
- Hygienic design following EHEDG recommendations
- Full stainless steel version
- 100 % maintenance free
- Designed by the rules conform to „Germanischer Lloyd“
- Integrated lift off protection
- Integrated dummy function



* do not constrain this point

The range of PR6002 mounting kits has been specially designed for the PR6202 load cell family to guarantee best weighing performance and maximum suitability for hygienic environments. Capacities from 1t to 50t per load cell are available. The design follows the recommendations of EHEDG for hygienic design and consistently avoids gaps and undercuts. The surface quality is conform to international standards.

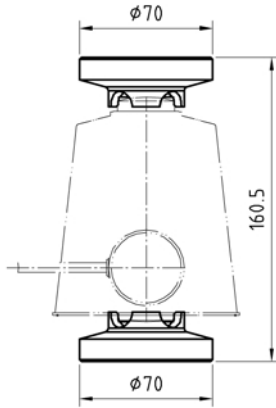
In addition the design permits a lateral displacement due to thermal and/or mechanical contraction and/or expansion of the hopper perpendicular to the horizontal constrainer.

The constrainer is 100% maintenance-free. The mounting kits are made of stainless steel (1.4301 corresponding to AISI 304 and B.S. 304S15).

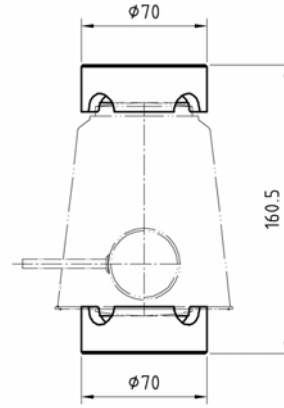
A special characteristic of the mounting kit is the dummy functionality for the installation of the hopper without load cell. Fixed load disks further simplify the assembly. Additional substantial characteristics are the integrated lift-off-protection and stops.

Top and bottom load disk PR6002/0x

PR6002/00S
(1t...10t)



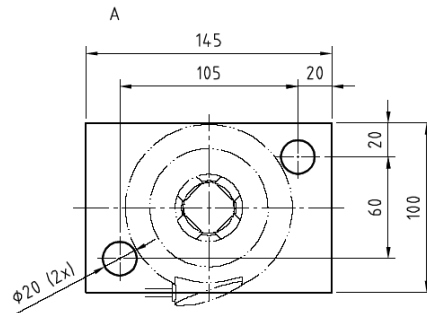
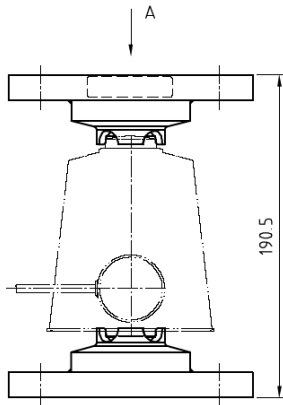
PR6002/01S
(25t...50t)



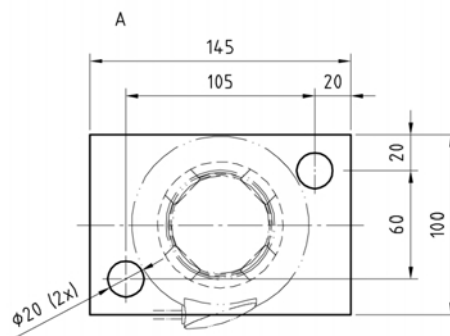
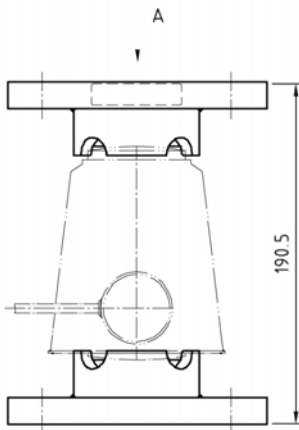
Dimensions in mm

Mounting plate PR6002/0x

PR6002/02S
(1t...10t)



PR6002/03S
(25t...50t)

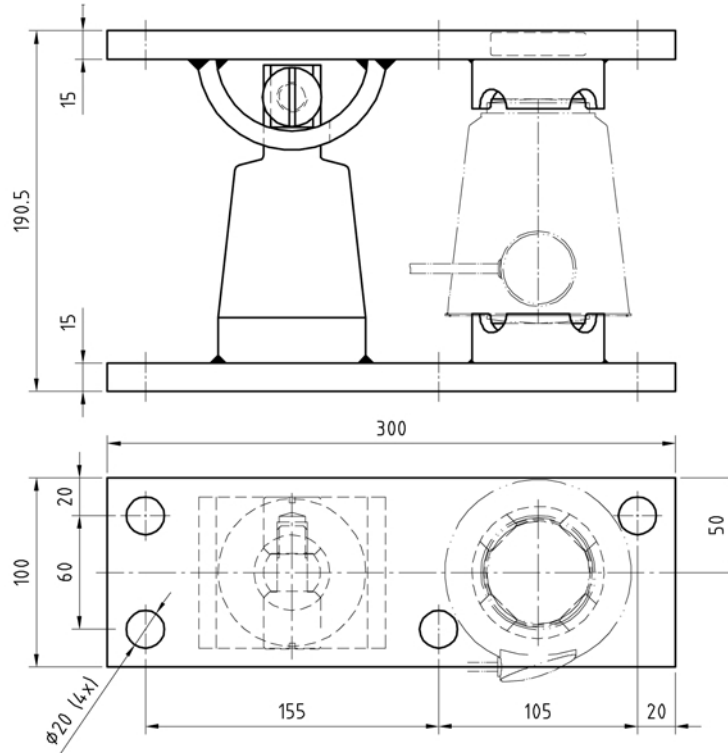


Dimensions in mm

Order information

Type	Description	Weight gross/net	Order number
PR6002/00S	Top and bottom load disk for 1t...10t load cells	1.2 kg / 1 kg	9405 360 02002
PR6002/01S	Top and bottom load disk for 25t...50t load cells	1.5 kg / 1.3 kg	9405 360 02012
PR6002/02S	Mounting plate kit with top and bottom load disk for 1t ... 10t load cells	4.5 kg / 4.3 kg	9405 360 02022
PR6002/03S	Mounting plate kit with top and bottom load disk for 25t ... 50t load cells	4.8 kg / 4.5 kg	9405 360 02032

PR6002/05S
(25t...50t)



Dimensions in mm

	PR6002/04S	PR6002/05S
Rated capacity (load cell)	1t ... 10t	25t ... 50t
Max. horizontal displacement of the load cell top	± 5 mm	± 5 mm

Data according to „Germanischer Lloyd“*

Destructive lateral force N_d^{**}	> 35 kN	> 35 kN
Permissible lift-off-protection force N_d^{**}	25 kN	25 kN
Permissible load without load cell N_d^{**}	2.5t	2.5t

* technical data according to the rules of „Germanischer Lloyd“

** according to DIN 18800

Accessories

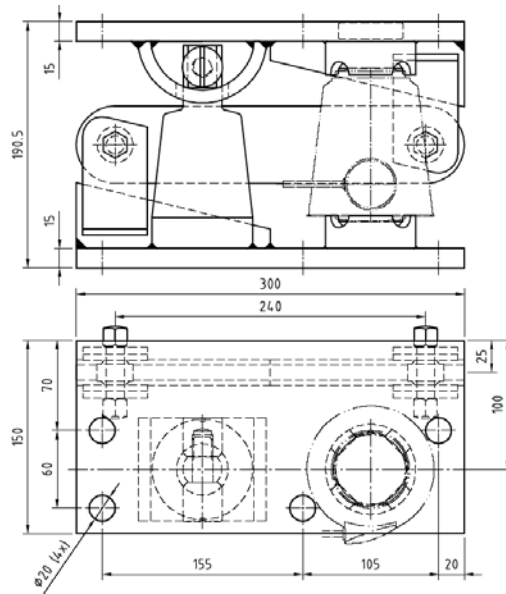
- Instruction manual
- Installation assistance

Material

S/S version 1.4301

Type	Description	Weight gross/net	Ordernumber
PR6002/04S	Mounting plate kit with top and bottom load disk, lift-off protection, fall-down protection, dummy function and displacement limiting by stop for 1t ... 10t load cells	13.5 kg / 13.2 kg	9405 360 02042
PR6002/05S	Mounting plate kit with top and bottom load disk, lift-off protection, fall-down protection, dummy function and displacement limiting by stop for 25t ... 50t load cells	13.7 kg / 13.4 kg	9405 360 02052

PR6002/11S
(25t...50t)



Dimensions in mm

	PR6002/10S	PR6002/11S
Rated capacity (load cell)	1t ... 10t	25t ... 50t
Max. horizontal displacement of the load cell top	± 5 mm	± 5 mm

Data according to „Germanischer Lloyd“*

Permissible lateral force N_d **	25 kN	25 kN
Destructive lateral force N_d **	> 50kN	> 50kN
Permissible lift-off-protection force N_d **	25 kN	25 kN
Permissible load without load cell N_d **	2.5t	2.5t

* technical data according to the rules of „Germanischer Lloyd“

** according to DIN 18800

Accessories

- Instruction manual
- Installation assistance

Material

S/S version 1.4301

Order information

Type	Description	Weight gross/net	Order number
PR6002/10S	Mounting plate kit with top and bottom load disk, lift-off protection, fall-down protection, dummy function and displacement limiting by stop and protected by constrainer for horizontal forces up to 25kN for 1t ... 10t load cells	22.2 kg /21.8 kg	9405 360 02102
PR6002/11S	Mounting plate kit with top and bottom load disk, lift-off protection, fall-down protection, dummy function, displacement limiting stop and protected by constrainer for horizontal forces up to 25kN for 25t ... 50t load cells	22.4 kg / 22.0 kg	9405 360 02112

Specifications subject to change without notice.

Printed in Germany.

n/sart • C

94 98 760 02001

Version 06.2006

Sartorius Hamburg GmbH
Meiendorfer Straße 205
22145 Hamburg, Germany
Tel. +49.40.67960.303
Fax +49.40.67960.383
www.sartorius.com